

# ARMERA<sup>®</sup>

## Installation Instructions

### ARMERA Dock

TH.310 First fix housing for all concealed valves



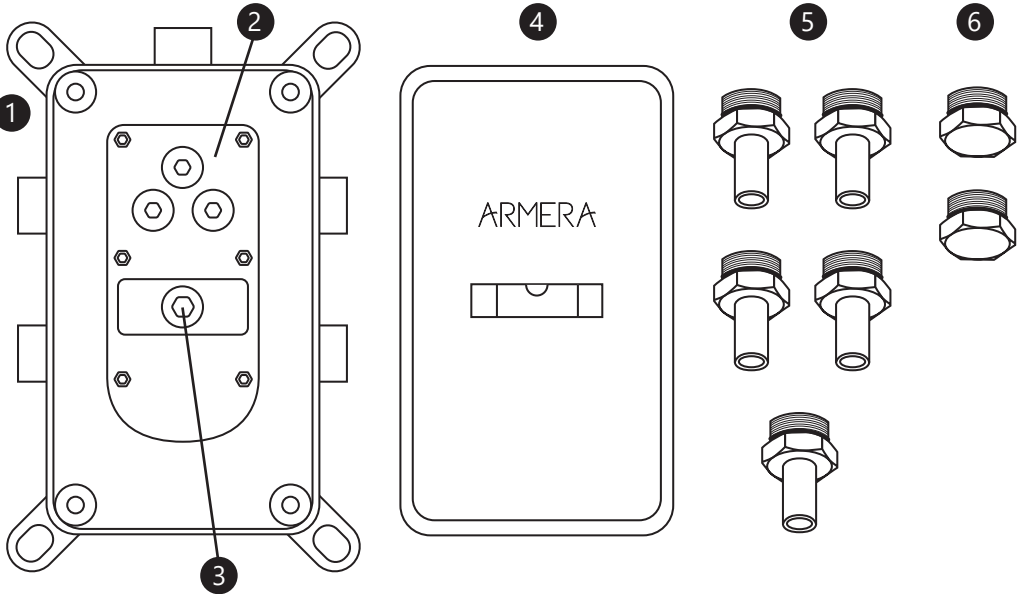
## Please Note

Please follow all instructions carefully. Failure to do so could invalidate your guarantee. As with the installation of any water bearing product, you must make sure that any laws prevalent to your area are followed. Such laws may include Local & National Water Supply Authority Regulations or Byelaws and Building and Plumbing Regulations. We recommend that a qualified registered plumber is used to install your product. Please ensure that when fitted, the product is easily accessed for service and maintenance requirements. ARMERA cannot be held liable for costs associated with accessing the product after it is fitted.

## Before starting installation

Please remove all packaging and make sure no components are missing. The following components should be present:

ITEM	DESCRIPTION		
1	ARMERA Dock	4	Cover plate
2	Blanking plate	5	$\frac{3}{4}$ "M x 15mm fittings (x5)
3	Drain outlet	6	Blanking plugs (x2)

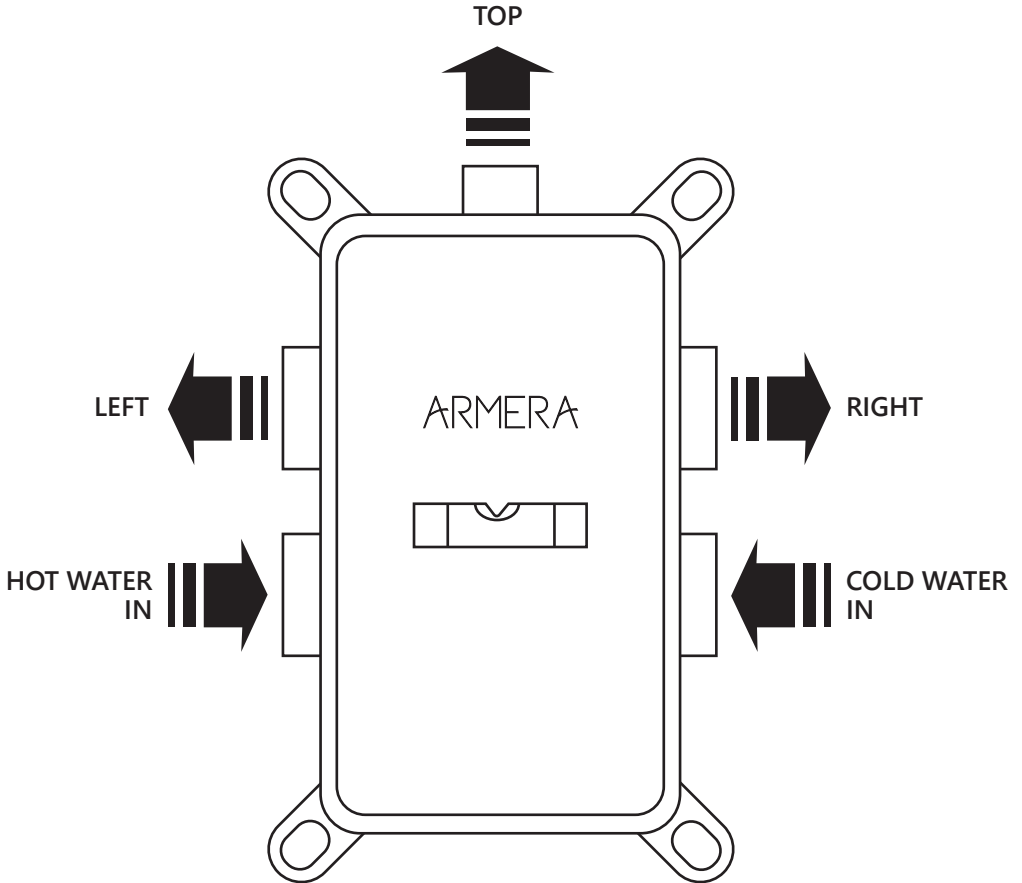


We recommend the following water inlet pressures:

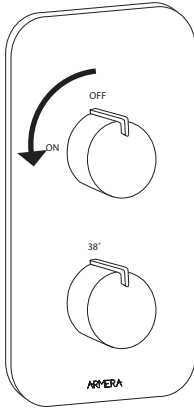
FUNCTION	RECOMMENDED PRESSURE
Shower only	0.2 bar to 5 bar
Bath fill	1 bar to 5 bar

## Installation

1. This product requires adequately balanced hot and cold water supplies.
2. Turn off the water supply.
3. Decide which outlets you want to be controlled by each valve function:

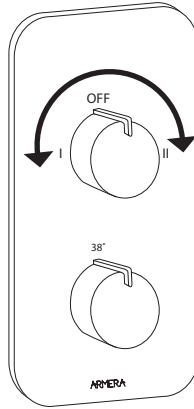


## For ARMERA Pivot valves



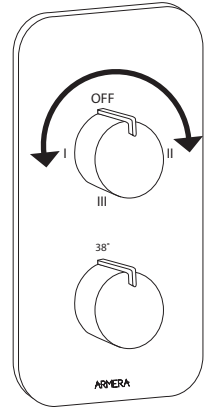
**1 outlet valves**  
PI.341.66 and PI.341.55

Handle position	Outlet operated
OFF	None
ON	TOP



**2 outlet valves**  
PI.342.66 and PI.342.55

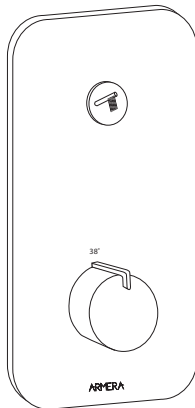
Handle position	Outlet operated
OFF	None
I	LEFT
II	RIGHT
6 o'clock	LEFT + RIGHT together



**3 outlet valves**  
PI.343.66 and PI.343.55

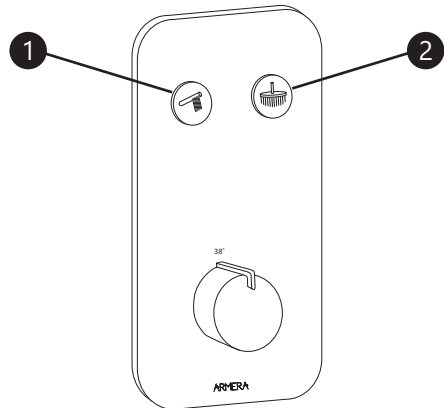
Handle position	Outlet operated
OFF	None
I	RIGHT
II	LEFT
III	TOP

## For ARMERA Index valves



**1 outlet valve**  
IN.331.60

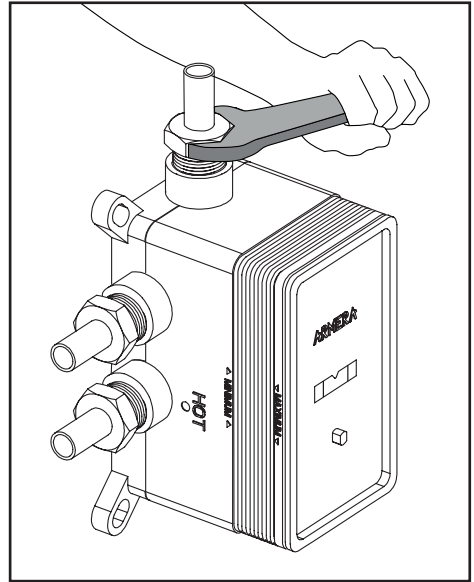
Button position	Outlet operated
OFF	None
ON	TOP



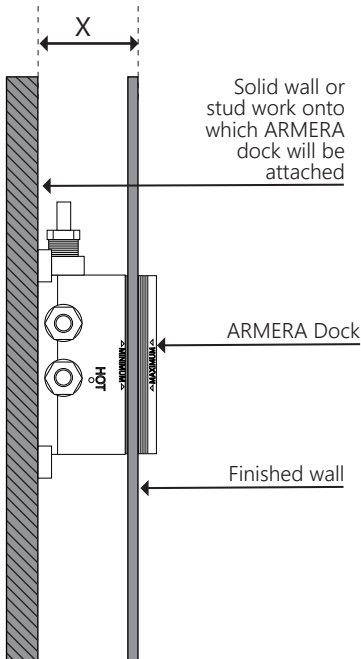
**2 outlet valve**  
IN.332.60

Button	Outlet operated
1	LEFT
2	RIGHT

4. Connect the 3/4" M x 15mm fittings to the water inlets and all outlets that are being used.
5. Fit blanking plugs to any outlets that will not be used.



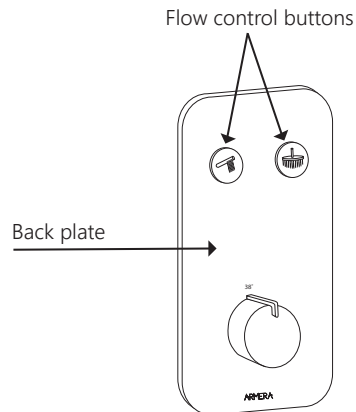
6. Calculate the depth at which you want to set the ARMERA dock into the wall.



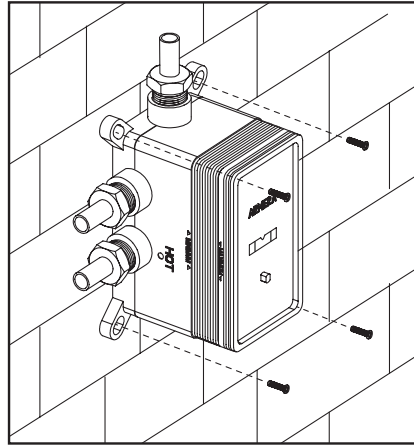
Depth tolerance (x)	76mm - 100mm
---------------------	--------------

\*NB When calculating installation depth (X) please remember to allow for the depth of plasterboard, tile adhesive and tiles on the finished wall.

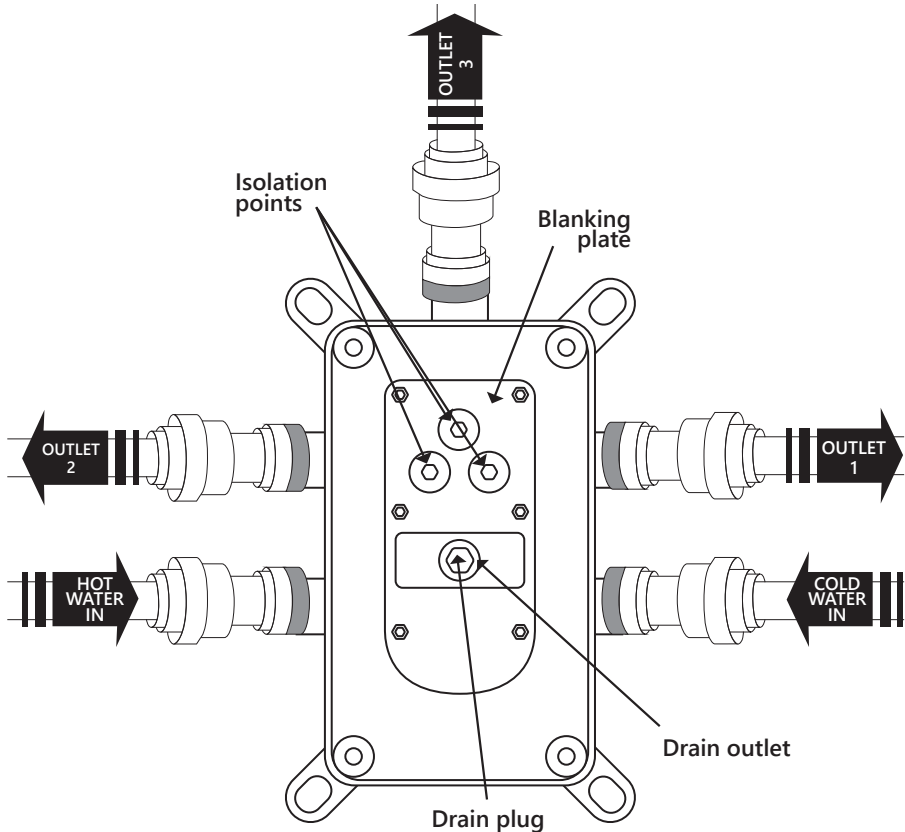
If installing ARMERA dock for use with Index push button valves and you want the flow control buttons to be flush with the backplate when they are in the off position, please set the ARMERA dock at a min. 85mm.



7. Offer the ARMERA dock up to the wall or studwork onto which it will be fixed and use the built in spirit level to ensure it is level. Mark the fixing points and then fix the ARMERA dock securely to the wall or studwork.



8. Connect all inlets and outlets using push fit\*, compression or solder ring fittings. Remove the ARMERA dock cover and ensure that the blanking plate is securely fixed in position.



\*If using push fit fittings, we recommend using John Guest Speedfit

## Flush the system and check for leaks

**TAKE CARE:** When performing the following steps, please ensure to keep clear of open outlets. Water being delivered may be hot.

i) Check that the isolation points are in the closed position by using a screwdriver to turn each one clockwise until you meet resistance. Take care not to over tighten the isolation points.

ii) Remove the drain plug and attach a hose to the drain outlet. Ensure the open end of the hose is positioned above a drain and turn on the water supply. Leave the water running until any dirt and debris is removed from the plumbing system.

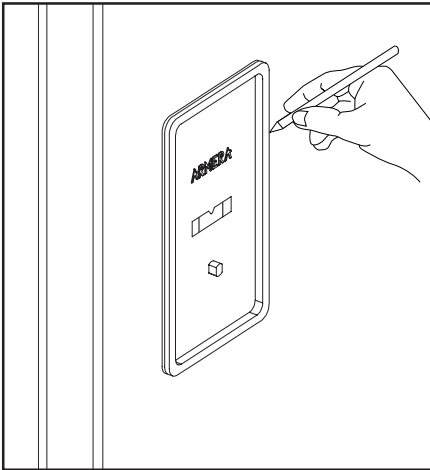
iii) Turn off the water supply and re-fit the drain plug ensuring it is screwed tightly into position.

iv) Turn the water supply back on and check for any leaks on your hot water and cold water inlet connections.

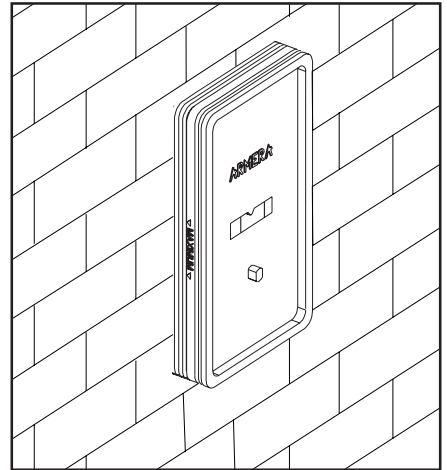
v) Use a screwdriver to turn each isolation point anti-clockwise. This will allow water to flow to the outlets so please ensure that each outlet is above a drain or is blanked off. Check for leaks on all outlet connections. When you are satisfied there are no leaks, turn off the water supply.

**Note:** The blanking plate is designed to allow testing only. The blanking plate should not be left under pressure.

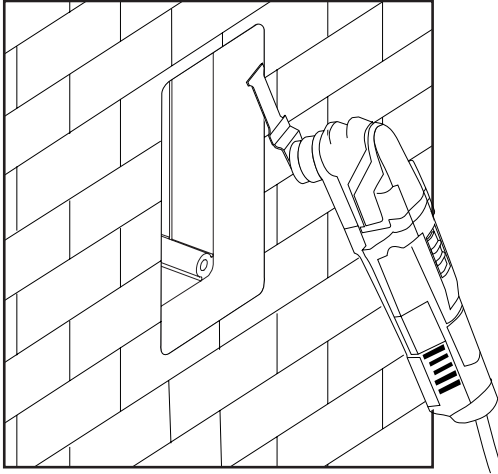
9. Remove the ARMERA dock cover and use it as a template to mark a cut out in your finished wall material.



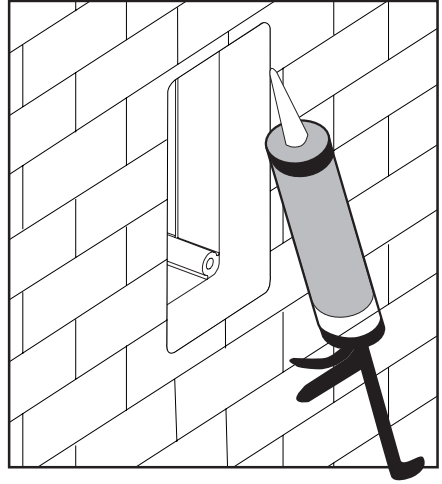
10. Fix the finished wall material in place, replace the ARMERA dock cover and tile up to the edge of the Armera dock. Ensure to tile right up to the dock rim.



11. Remove the cover and cut the rim of the ARMERA dock to ensure it is flush with the tiled surface.



12. Seal the gap between the ARMERA dock and the tiles using silicone sealant. Ensure to seal completely around the perimeter of the dock then replace the cover.



## Contact Us

Should you need any assistance, please e-mail us at [info@armera.co.uk](mailto:info@armera.co.uk) or call 01225 251 204

## Caring for your ARMERA product

We recommend only cleaning your product with a soft damp cloth. Please do not use any other cleaning products as they may damage the high quality finish of this product.

## Guarantee

This ARMERA product is guaranteed against manufacturing defects. The cover period is from date of supply to the ARMERA customer and will last for 2 years for parts and labour. The parts guarantee can be extended to 15 years by registering your guarantee. To register your guarantee and review all guarantee conditions, please go to [www.armera.co.uk](http://www.armera.co.uk)

