

ARMERA®

Installation Instructions

Pivot thermostatic shower valves

PI.341.66, PI.342.66, PI.343.66 and PI.341.55, PI.342.55, PI.343.55



Please Note

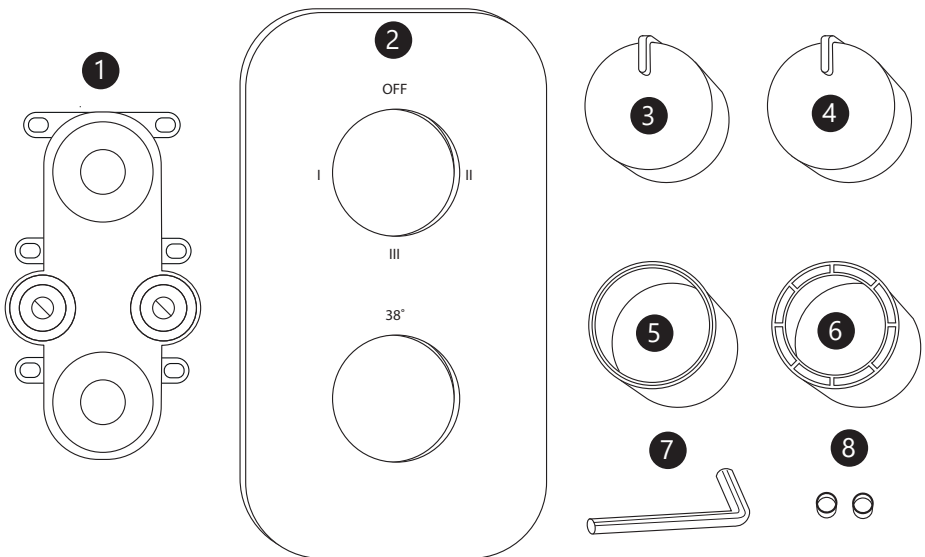
Please follow all instructions carefully. Failure to do so could invalidate your guarantee. As with the installation of any water bearing product, you must make sure that any laws prevalent to your area are followed. Such laws may include Local & National Water Supply Authority Regulations or Byelaws and Building and Plumbing Regulations. We recommend that a qualified registered plumber is used to install your product. Please ensure that when fitted, the product is easily accessed for service and maintenance requirements. ARMERA cannot be held liable for costs associated with accessing the product after it is fitted.

Before starting installation

Please remove all packaging and make sure no components are missing. The following components should be present:

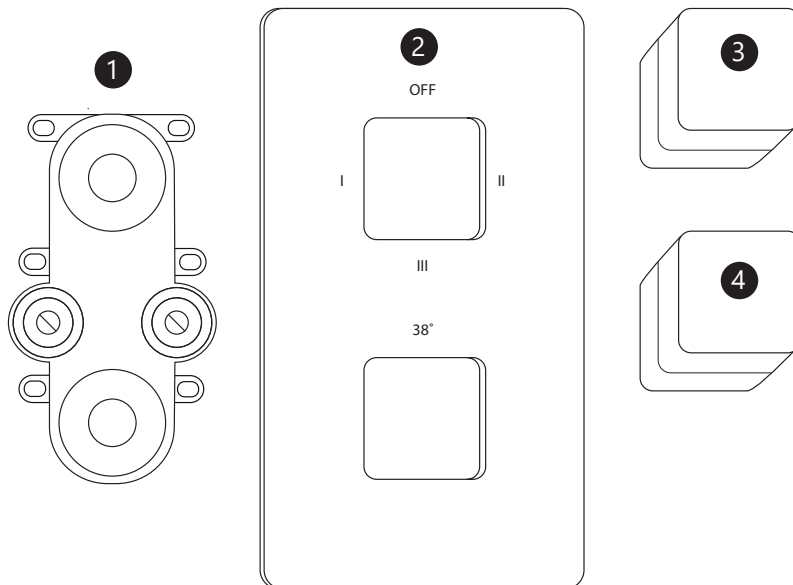
PI.341.66, PI.342.66 and PI.343.66:

ITEM	DESCRIPTION		
1	Valve body	5	Flow control shroud
2	Back plate	6	Temperature control shroud
3	Flow control handle	7	Allen key
4	Temperature control handle	8	Grub screw covers (x2)



PI.341.55, PI.342.55 and PI.343.55:

ITEM	DESCRIPTION	3	Flow control handle and shroud assembly
1	Valve body	4	Temperature control handle and shroud assembly
2	Back plate		



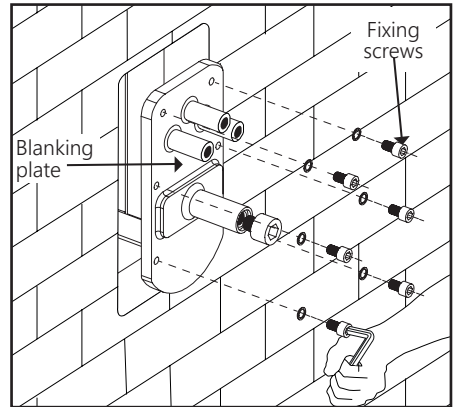
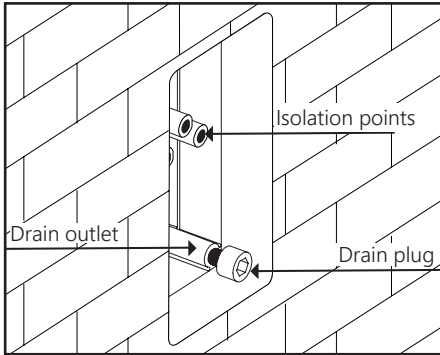
Recommended water inlet pressures and temperatures:

FUNCTION	RECOMMENDED PRESSURE	Hot Supply Temperature °C	55 to 65
Shower only	0.2 bar to 5 bar	Cold Supply Temperature °C	Max. 25
Bath fill	1 bar to 5 bar		

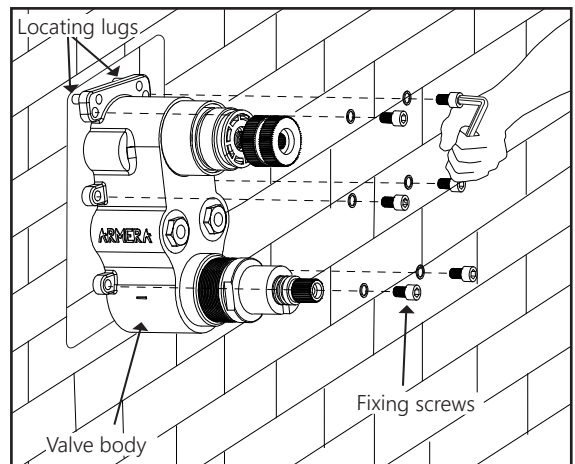
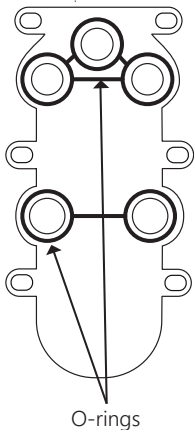
Installation

1. This product requires adequately balanced hot and cold water supplies.
2. Turn off the water supply.
3. Follow the separate instructions for installing the ARMERA dock: part code TH.310.

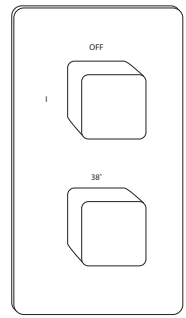
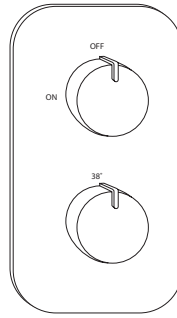
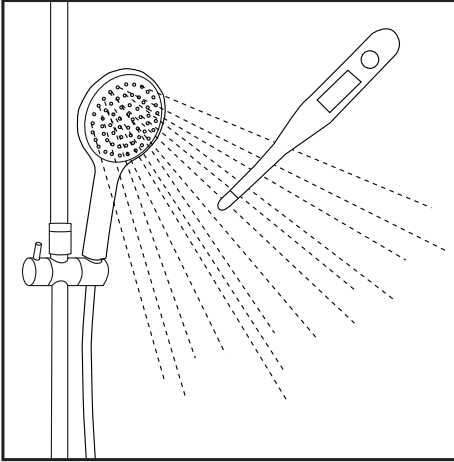
1. Use an allen key to turn each of the 3 isolation points clockwise until they are tight. Remove the drain plug and attach a hose to the drain outlet of the ARMERA dock. Ensure the open end of the hose is positioned above a drain and turn on the water supply. Leave the water running until any dirt and debris is removed from the plumbing system. Turn off the water supply.
2. Remove the blanking plate from the ARMERA dock. Keep the fixing screws to one side.



3. Check to ensure that the o-rings are firmly secured in the back of the valve body. If the o-rings are damaged or not seated correctly, the valve body will not seal with the ARMERA dock and leaks may occur.
4. Place the valve body into the ARMERA dock and use the locating lugs to set the body in the correct position. Secure the valve body in position using the fixing screws. Ensure that screws are tightened sufficiently for the valve body to create a water tight seal with the ARMERA dock.



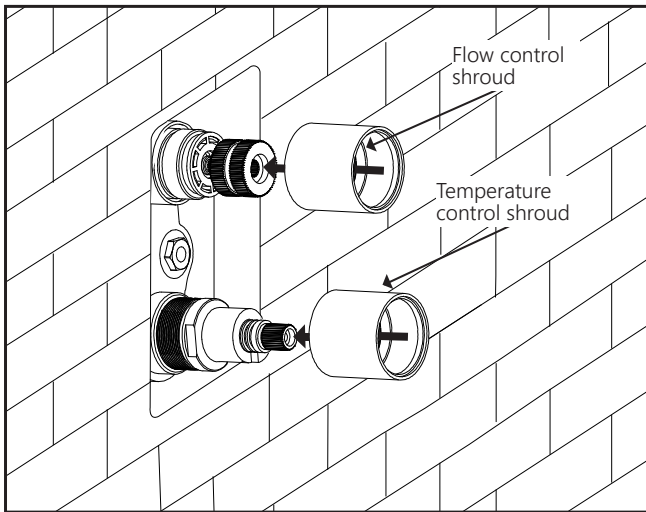
8. Switch on the water supply and check for leaks. Test the water temperature from one of the outlets using a thermometer.



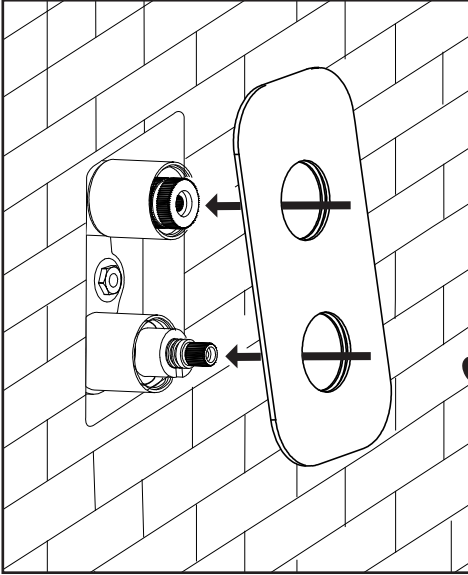
The valve has been calibrated so that 38°C is achieved with the handles positioned as in above diagrams. If water temperature is higher or lower than 38°C, please follow the instructions for recalibrating the thermostat.

9. Screw the flow control shroud and the temperature control shroud onto the valve body.

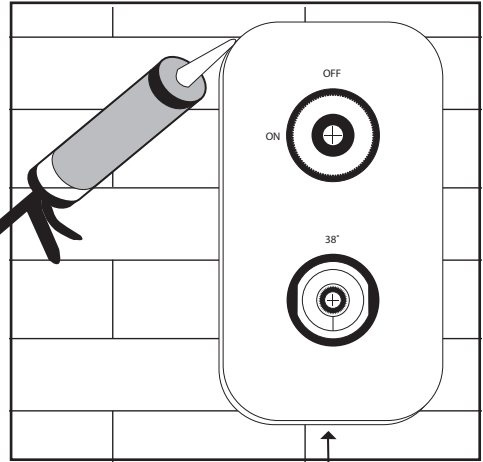
*NB for square valves, the handle is already attached to the shrouds so please just screw on the complete assembly.



10. Push the backplate onto the flow control and temperature control shrouds.

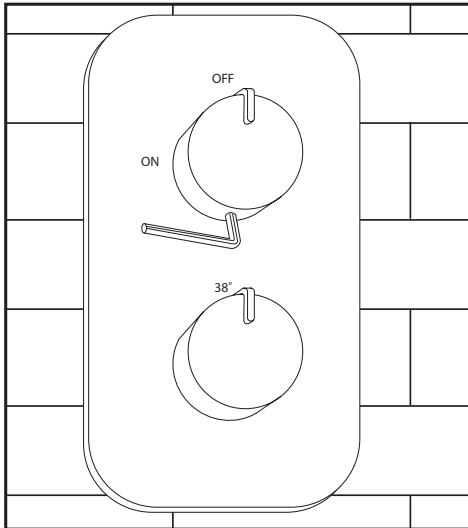


11. Seal the plate to the tiles using silicone sealant. Ensure to leave the channel at the bottom of the plate free of silicone. If a leak ever occurs in the valve, this channel will allow water to escape alerting you of a problem.

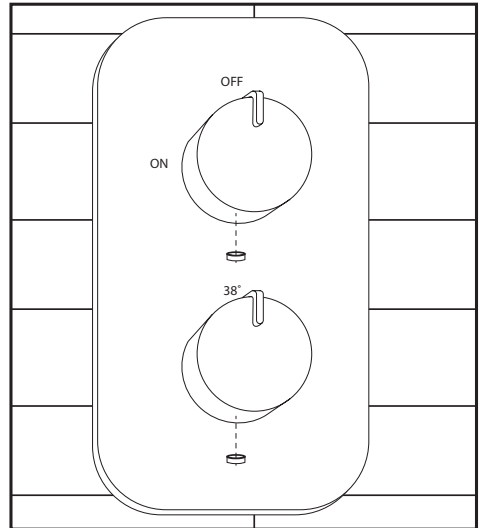


Leak detection channel
DO NOT BLOCK WITH SILICONE

12. Secure the handles in position by tightening the grub screws in the underside of each handle.

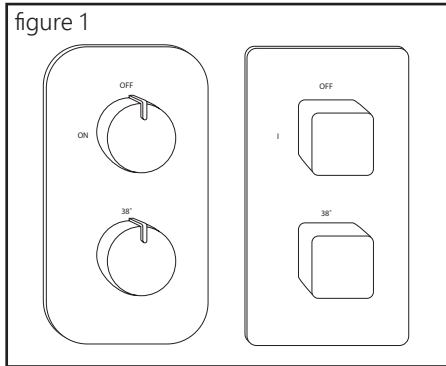


13. Insert grub screw covers.

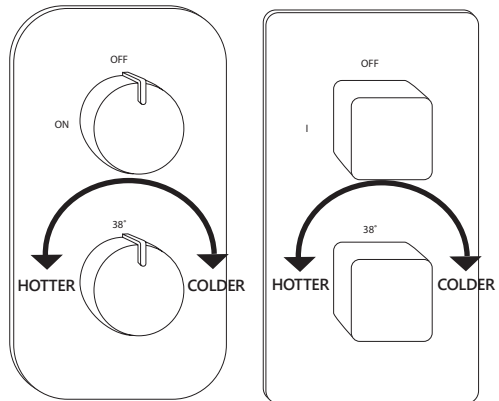
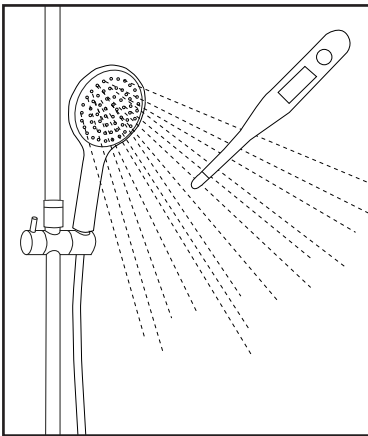


Calibrating the thermostatic control

1. Attach the handles as shown in figure 1 but do not tighten the grub screw in the thermostatic handle.



2. Use a thermometer to test the water temperature from one of the outlets. Adjust the temperature by turning the temperature control handle clockwise or anti-clockwise until 38°C is achieved. Remove the handle and re-attach it so it is aligned as shown in figure 1.

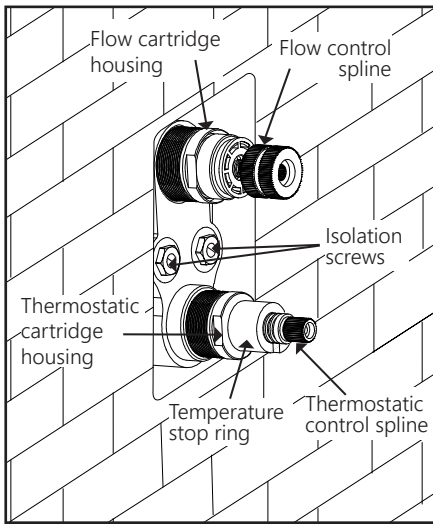


Maintenance

We recommend that the flow cartridge and thermostatic cartridge are removed annually and checked for any signs of dirt or limescale. If dirt or limescale is found, the cartridge should be cleaned and all limescale removed.

To access flow cartridge and thermostatic cartridge

1. Remove handles, backplate, temperature control shroud and flow control shroud.
2. Isolate the water supply by turning the isolation screws clockwise until each screw is tight.



1. Check that the water supply is isolated by turning on the flow control. Please ensure to keep away from any water outlets as it is possible that water may still escape through the outlets if the valve is not properly isolated.
2. Remove the flow control spline, thermostatic control spline and temperature stop ring.
3. With the flow control still open, turn the splined stem of the thermostatic cartridge fully clockwise to its stopping point. Next, turn it fully anti-clockwise to its stopping point. If no water escapes, you have successfully isolated the valve. If water continues to escape, isolation has failed and you will need to isolate the water supply elsewhere in the system before proceeding to step 6.

4. Use a spanner to unscrew the cartridge housing from the valve body. Cartridges can then be removed by pulling them out of the valve body.
5. Inspect cartridges and clean as necessary.

Contact Us

Should you need any assistance, please e-mail us at info@armera.co.uk or call 01225 251 204

Caring for your Armera product

We recommend only cleaning your product with a soft damp cloth. Please do not use any other cleaning products as they may damage the high quality finish of this product.

Guarantee

This ARMERA product is guaranteed against manufacturing defects. The cover period is from date of supply to the Armera customer and will last for 2 years for parts and labour. The parts guarantee can be extended to 15 years by registering your guarantee. To register your guarantee and review all guarantee conditions, please go to www.armera.co.uk

