

# ARMERA<sup>®</sup>

## Installation Instructions

### Oculus/Maze

#### Single lever manual wall mounted valve



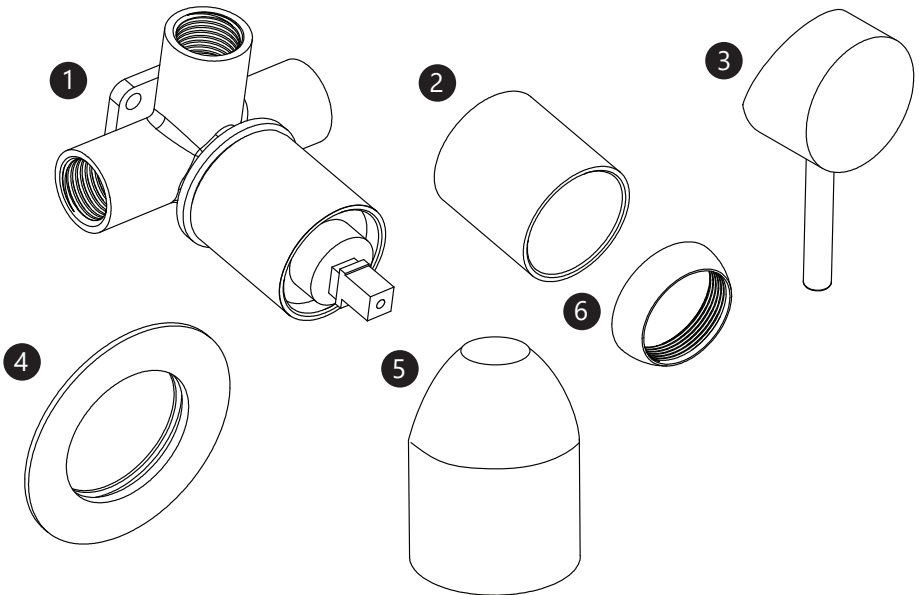
## Please Note

Please follow all instructions carefully. Failure to do so could invalidate your guarantee. As with the installation of any water bearing product, you must make sure that any laws prevalent to your area are followed. Such laws may include Local & National Water Supply Authority Regulations or Byelaws and Building and Plumbing Regulations. We recommend that a qualified registered plumber is used to install your product. Please ensure that when fitted, the product is easily accessed for service and maintenance requirements. ARMERA cannot be held liable for costs associated with accessing the product after it is fitted.

## Before starting installation

Please remove all packaging and make sure no components are missing. The following components should be present:

ITEM	DESCRIPTION		
1	Mixer body	4	Cover plate
2	Body shroud	5	Mortar guard
3	Handle	6	Cartridge shroud



We recommend the following water inlet pressures:

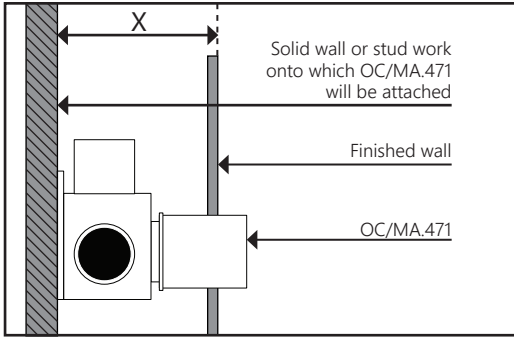
FUNCTION	RECOMMENDED PRESSURE
Shower only	0.2 bar to 5 bar
Bath fill	1 bar to 5 bar

# Installation

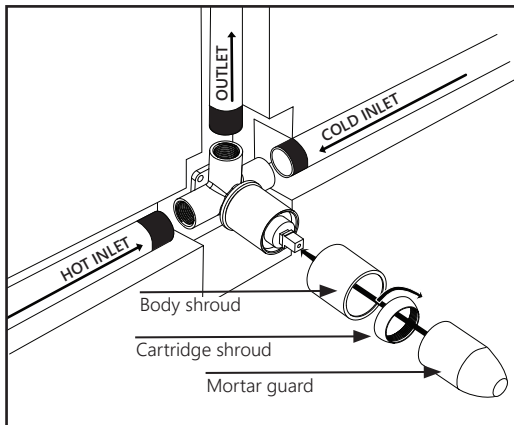
1. Before starting installation, please ensure the plumbing system has been fully flushed to remove any dirt and debris.
2. For ease of maintenance, we advise fitting isolation valves on the hot and cold feeds to the valve body.
3. Turn off the water supply.
4. Calculate the depth at which you want to set the valve body in the wall:

Depth tolerance (x)	34mm - 72mm
---------------------	-------------

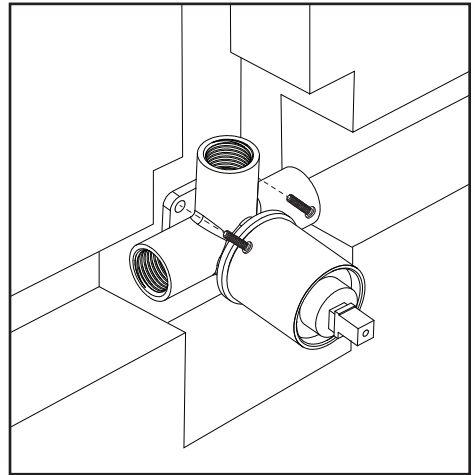
\*NB When calculating installation depth (X) please remember to allow for the depth of plasterboard, tile adhesive and tiles on the finished wall.



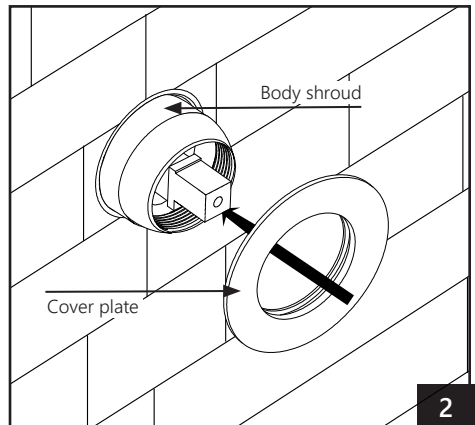
6. Connect all inlets and outlets. Turn on the water supply to test all pipework for leaks. Next, slide on the body shroud and secure it in place by screwing on the cartridge shroud. Turn the water supply off and fit the mortar guard to protect the valve during the next stages of insulation.



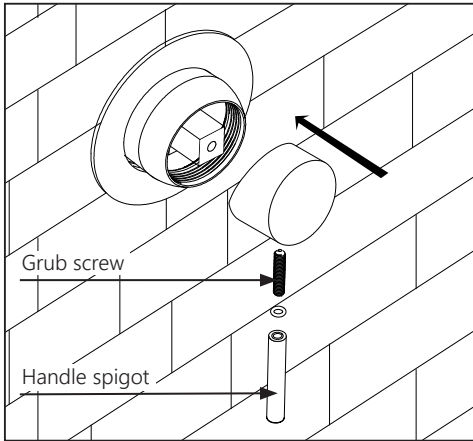
5. Offer the valve body up to the wall onto which it will be fixed and ensure it is level. Mark the fixing points and then fix the valve body securely to the wall.



7. Fix the finished wall in place then remove the mortar guard and slide the cover plate onto the body shroud.

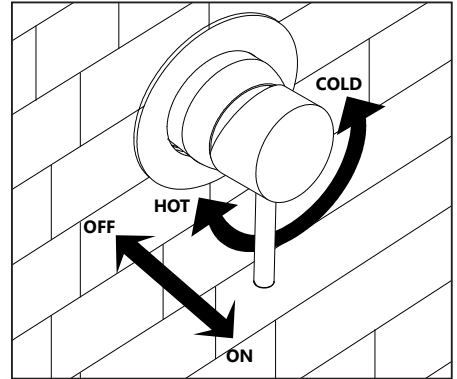


8. Unscrew the handle spigot. Slide the handle onto the mixer body and secure it in place using the grub screw before re-attaching the handle spigot.



## Operation

Lift the lever towards you to operate and control the flow. Turn the lever left for hotter and right for colder.



## Contact Us

Should you need any assistance, please e-mail us at [info@armera.co.uk](mailto:info@armera.co.uk) or call 01225 251 204

## Caring for your ARMERA product

We recommend only cleaning your product with a soft damp cloth. Please do not use any other cleaning products as they may damage the high quality finish of this product.

## Guarantee

This ARMERA product is guaranteed against manufacturing defects. The cover period is from date of supply to the ARMERA customer and will last for 2 years for parts and labour. The parts guarantee can be extended to 15 years by registering your guarantee. To register your guarantee and review all guarantee conditions, please go to [www.armera.co.uk](http://www.armera.co.uk)

