

ARMERA[®]

Installation Instructions

Index & Maze Landscape thermostatic shower valves

IN.373.61 & IN.473.61



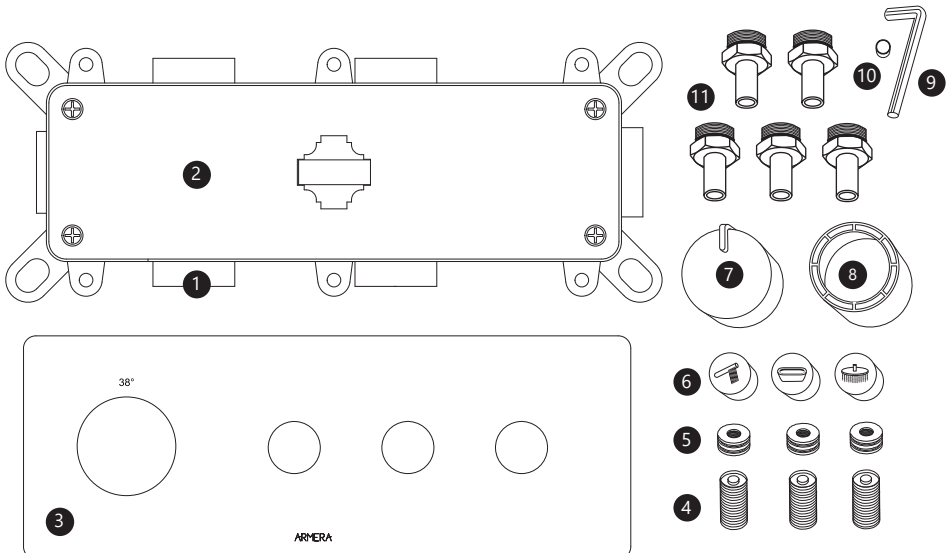
Please Note

Please follow all instructions carefully. Failure to do so could invalidate your guarantee. As with the installation of any water bearing product, you must make sure that any laws prevalent to your area are followed. Such laws may include Local & National Water Supply Authority Regulations or Byelaws and Building and Plumbing Regulations. We recommend that a qualified registered plumber is used to install your product. Please ensure that when fitted, the product is easily accessed for service and maintenance requirements. ARMERA cannot be held liable for costs associated with accessing the product after it is fitted.

Before starting installation

Please remove all packaging and make sure no components are missing. The following components should be present:

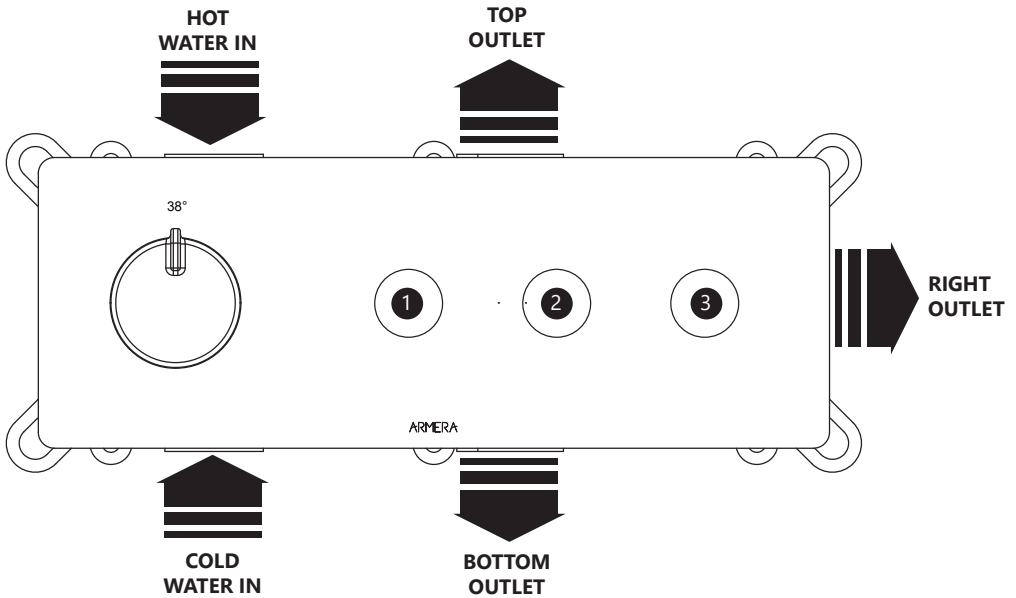
ITEM	DESCRIPTION	6	Flow control buttons x 3
1	Valve body	7	Temperature control handle
2	Mortar guard	8	Temperature control shroud
3	Back plate	9	Allen key
4	Flow control stem x 3	10	Grub screw cover
5	Flow control bush x 3	11	3/4" M x 15mm fittings x 5



RECOMMENDED PRESSURE	1 bar to 5 bar
----------------------	----------------

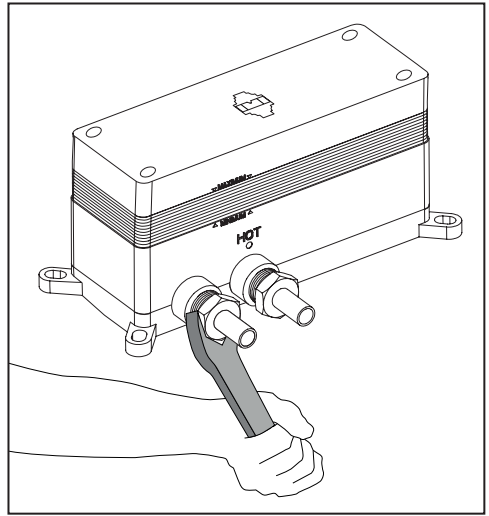
Installation

1. Before starting installation, please ensure the plumbing system has been fully flushed to remove any dirt and debris.
2. This product requires adequately balanced hot and cold water supply.
3. Turn off the water supply.
4. Decide which outlets you want to be controlled by each valve function:



BUTTON	OUTLET OPERATED
1	TOP
2	BOTTOM
3	RIGHT

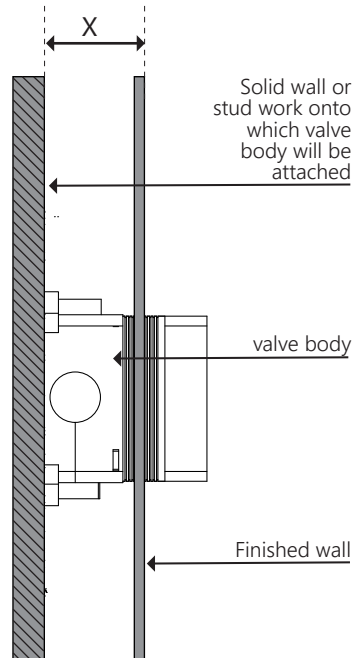
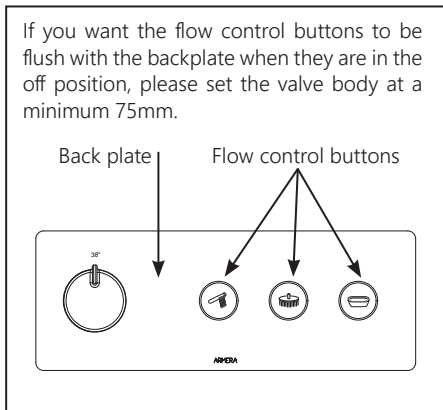
- Using PTFE tape or jointing compound, connect the $\frac{3}{4}$ "M x 15mm fittings to all water inlets and outlets.



- Calculate the depth at which you want to set the valve body into the wall.

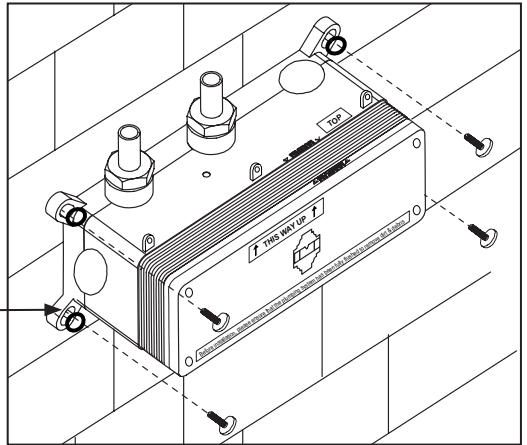
Depth tolerance (x)	70mm - 95mm
---------------------	-------------

*NB When calculating installation depth (X) please remember to allow for the depth of plasterboard, tile adhesive and tiles on the finished wall.

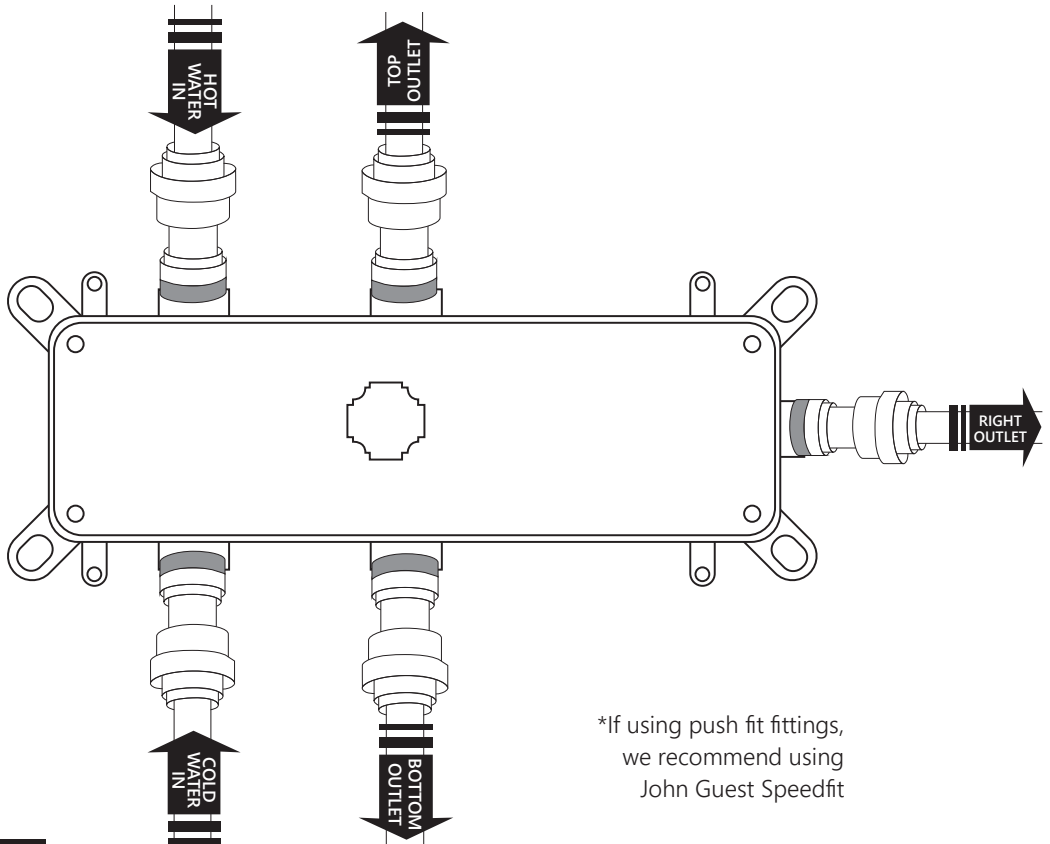


7. Offer the valve body up to the wall or studwork onto which it will be fixed and use the built in spirit level to ensure it is level. Mark the fixing points and then fix the valve body securely to the wall or studwork.

Washers

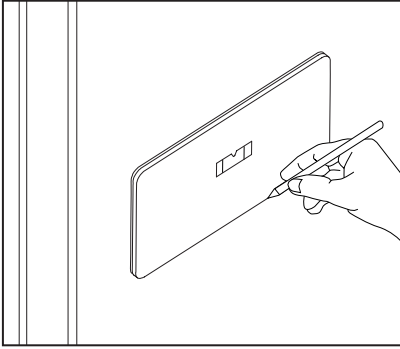


8. Connect all inlets and outlets using push fit*, compression or solder ring fittings. Turn on the water supply to test all pipework for leaks before proceeding on to next steps. When tests are complete, please turn the water supply back off.

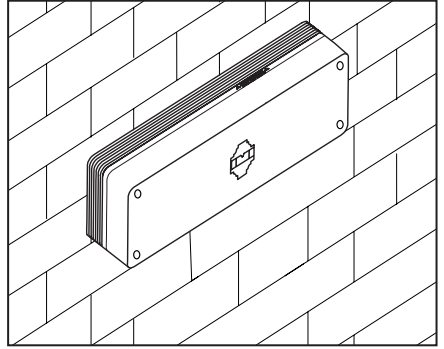


*If using push fit fittings,
we recommend using
John Guest Speedfit

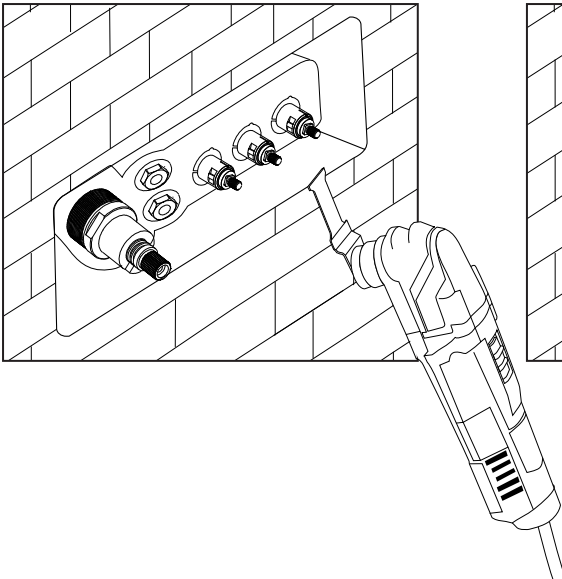
9. Remove the mortar guard and use it as a template to mark a cut out in your finished wall material.



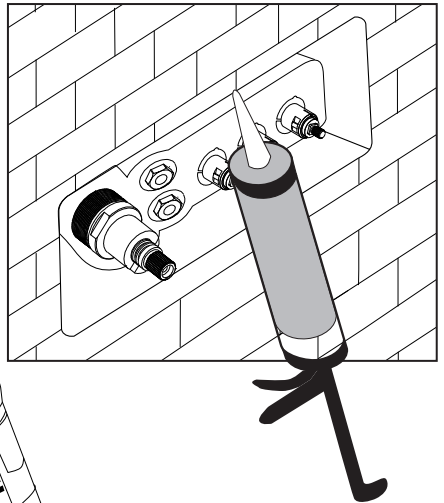
10. Replace the mortar guard and then fix the finished wall material in place ensuring to tile right up to the edge of plastic rim that surrounds the valve body.



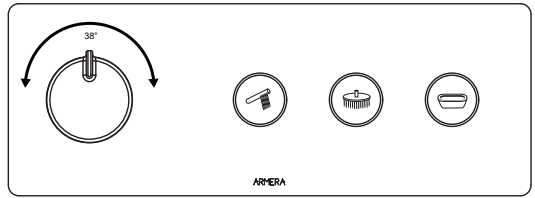
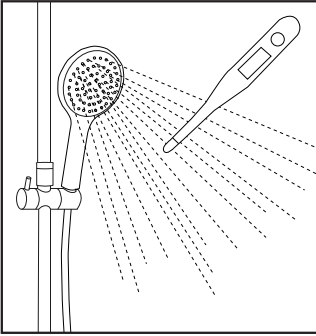
11. Remove the mortar guard and cut the rim of the valve body to ensure it is flush with the tiled surface.



12. Seal the gap between the valve body and the tiles using silicone sealant. Ensure to seal completely around the perimeter of the valve body.



13. Turn on the water supply and test the water temperature from one of the outlets using a thermometer.

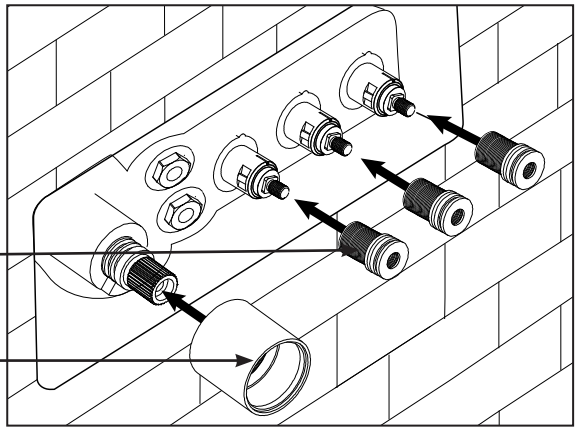


The valve has been calibrated so that 38°C is achieved with the thermostatic control handle positioned as in above diagram. If water temperature is higher or lower than 38°C, please follow the instructions for recalibrating the thermostat.

14. Screw the temperature control shroud and the flow control stems and bushes onto the valve body.

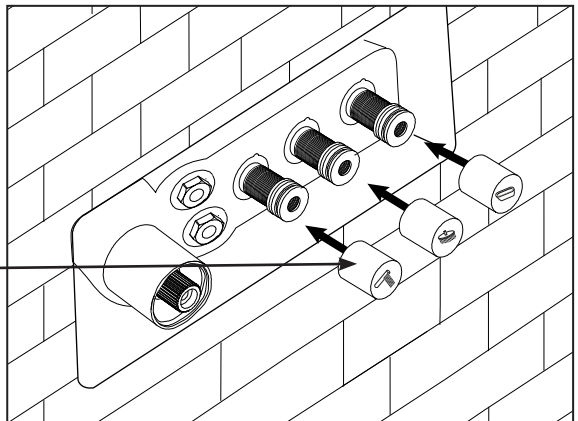
Flow control stems
and bushes

Temperature control
shroud

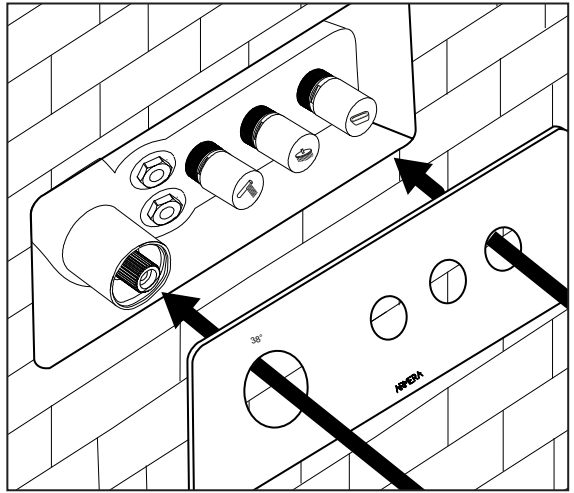


15. Select the relevant flow control buttons and push them onto the flow control bushes.

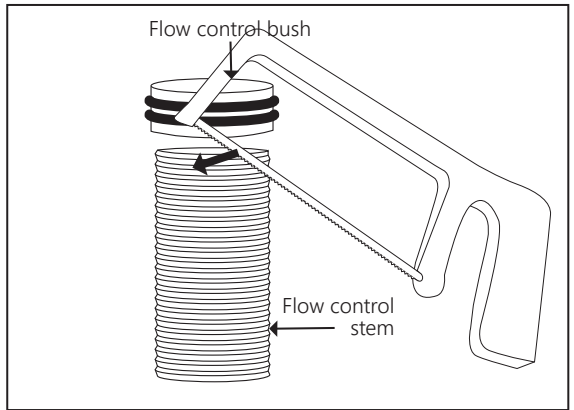
Flow control
buttons



16. Push the backplate onto the flow control buttons and temperature control shroud.

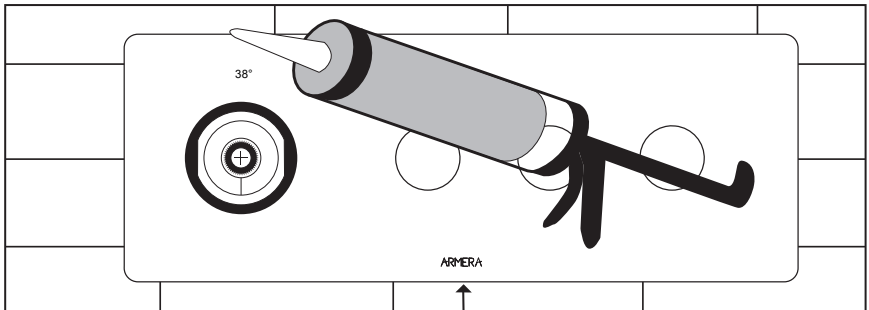


17. If the flow control buttons protrude too far out of the plate, remove the flow control buttons and the backplate. Unscrew the flow control bush from the flow control stem and cut down the flow control stem to the desired length. Reassemble back into valve body and replace the back plate and flow control buttons.



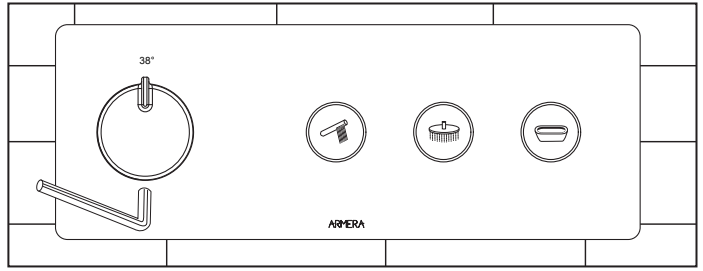
! Ensure to only cut the end of the stem onto which the flow control !
• bush is fitted. Do not cut the end • that screws onto the valve body!

18. Seal the plate to the tiles using silicone sealant. Ensure to leave the channel at the bottom of the plate free of silicone. If a leak ever occurs in the valve, this channel will allow water to escape alerting you of a problem.

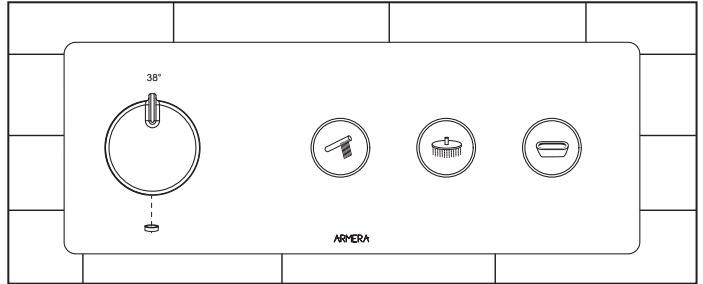


Leak detection channel
DO NOT BLOCK WITH SILICONE

19. Secure the temperature control handle in position by tightening the grub screw in the underside of the handle.

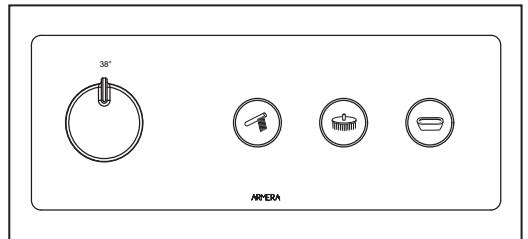


20. Insert grub screw cover.



Calibrating the thermostatic control

1. Attach the temperature control handle but do not tighten the grub screw in the bottom of the handle.



2. Use a thermometer to test the water temperature from one of the outlets. Adjust the temperature by turning the temperature control handle clockwise or anti-clockwise until 38°C is achieved. Remove the handle and re-attach it so it is aligned as shown in figure 1.

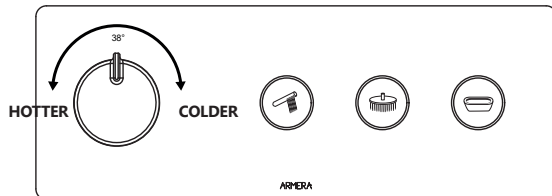
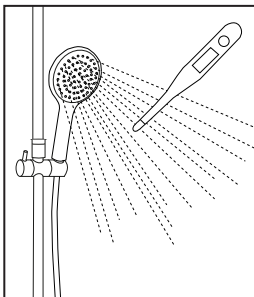


Figure 1.

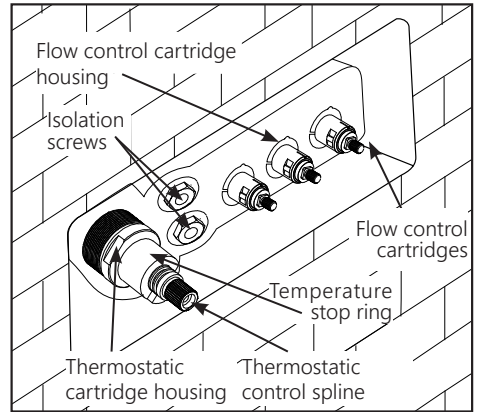
Maintenance

We recommend that the flow cartridges and thermostatic cartridge are removed annually and checked for any signs of dirt or limescale. If dirt or limescale is found, the cartridge should be cleaned and all limescale removed.

To access flow cartridges and thermostatic cartridge

1. Remove the temperature control handle and pull off the backplate.
2. Remove the flow control buttons, stems and bushes and the temperature control shroud.
3. Isolate the water supply by turning the isolation screws clockwise until each screw is tight.
4. Check that the water supply is isolated by turning on the flow controls. Please ensure to keep away from any water outlets as it is possible that water may still escape through the outlets if the valve is not properly isolated.

5. Remove the thermostatic control spline and the temperature stop ring.
6. With the flow control still open, turn the splined stem of the thermostatic cartridge fully clockwise to its stopping point. Next, turn it fully anti-clockwise to its stopping point. If no water escapes, you have successfully isolated the valve.



- If water continues to escape, isolation has failed and you will need to isolate the water supply elsewhere in the system before proceeding to step 7.
7. Use a spanner to unscrew the thermostatic cartridge housing from the valve body. Use a set of long nose pliers or circlip pliers to unscrew the flow control cartridge housings from the body. Cartridges can then be removed by pulling them out of the valve body.
 8. Inspect cartridges and clean as necessary.

Contact Us

Should you need any assistance, please e-mail us at info@armera.co.uk or call 01225 251 204

Caring for your Armera product

We recommend only cleaning your product with a soft damp cloth. Please do not use any other cleaning products as they may damage the high quality finish of this product.

Guarantee

This ARMERA product is guaranteed against manufacturing defects. The cover period is from date of supply to the Armera customer and will last for 2 years for parts and labour. The parts guarantee can be extended to 15 years by registering your guarantee. To register your guarantee and review all guarantee conditions, please go to www.armera.co.uk

