

ARMERA[®]

Installation Instructions

Vaere

VA.135 Deck Mounted 3 Hole Bath Shower Mixer Set



Please Note

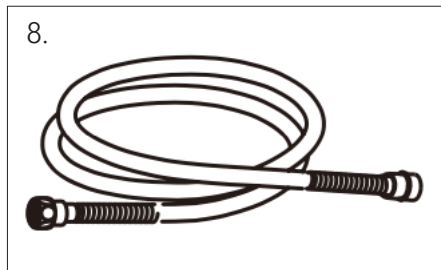
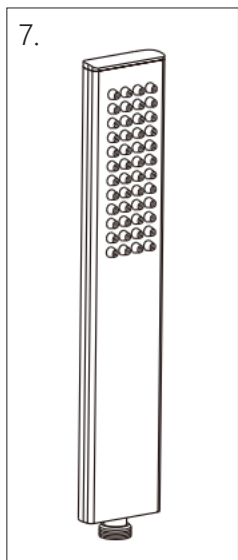
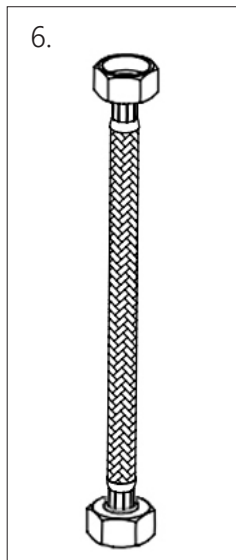
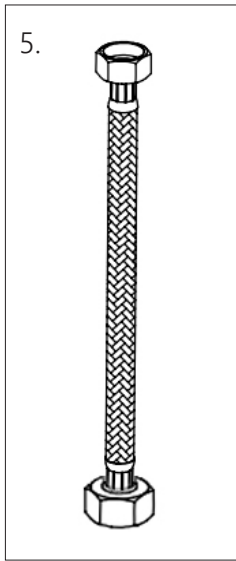
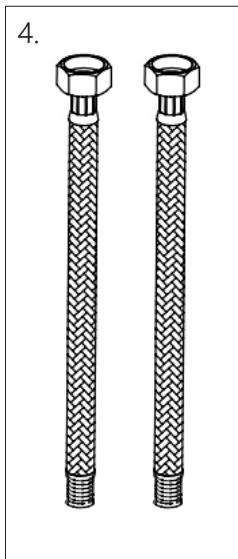
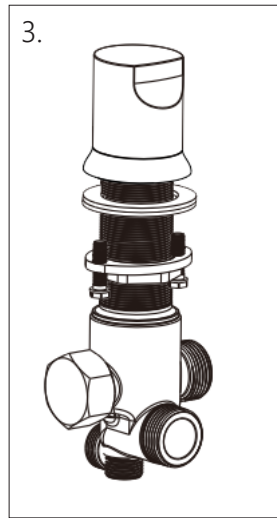
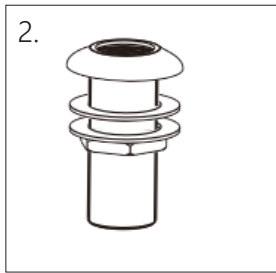
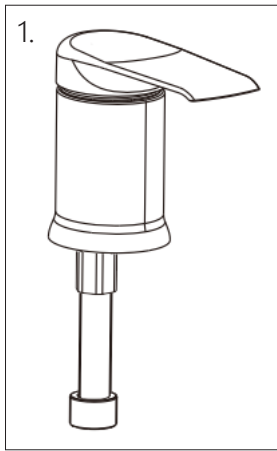
Please follow all instructions carefully. Failure to do so could invalidate your guarantee. As with the installation of any water bearing product, you must make sure that any laws prevalent to your area are followed. Such laws may include Local & National Water Supply Authority Regulations or Byelaws and Building and Plumbing Regulations. We recommend that a qualified registered plumber is used to install your product. Please ensure that when fitted, the product is easily accessed for service and maintenance requirements. Armera cannot be held liable for costs associated with accessing the product after it is fitted.

Before starting installation

These products are made from plated brass, so please take every care when handling them to avoid surface damage.

Please remove all packaging and make sure no components are missing. The following components should be present:

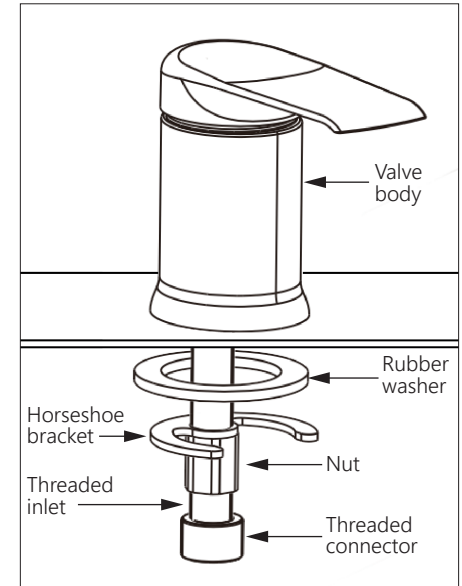
ITEM	
1	Valve body
2	Shower escutcheon
3	Diverter
4	2 x 1/2" F x 11mm M hoses
5	3/4" F x 1/2" F Hose
6	3/4" F x 3/4" F Hose
7	Shower handset
8	Shower hose



1. This product requires adequately balanced hot and cold water supplies.
2. Turn off the water supply.
3. If installing with a spout (VA.918), drill four Ø35mm holes in the surface onto which the product will be mounted. Ensure the holes are correctly spaced to allow the connecting hoses to reach each part of the mixer (as shown in step 18). If using a bath filler waste (BW.232 or BW.233) instead of a spout, you will only need to drill 3 holes. Please refer to the instructions for BW.232 or BW.233 in conjunction with these instructions.

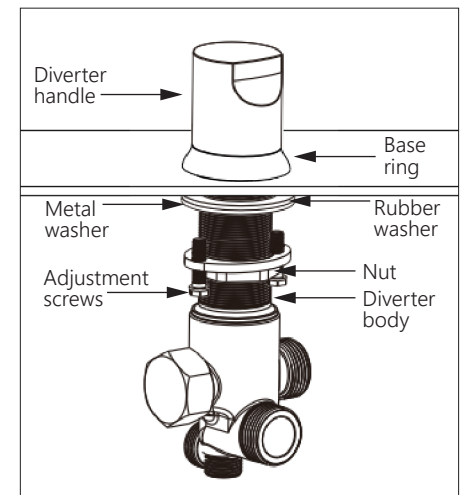
Fitting the valve body:

4. Unscrew the threaded connector from the threaded inlet.
5. Unscrew the nut and remove the horseshoe bracket and rubber washer.
6. Place the valve body on top of one of your pre-drilled holes in the bath and feed the threaded inlet through the hole.
7. From the underside of the bath, attach the rubber washer and horseshoe bracket onto the threaded inlet and tighten the nut until the valve body is securely attached in position.
8. Screw the threaded connector back onto the threaded inlet. Tighten it by using an allen key inserted into the base.



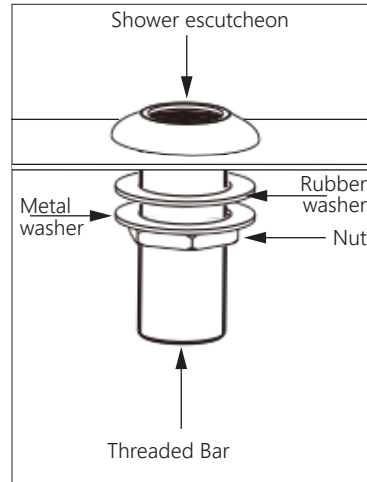
Fitting the diverter:

9. Remove the diverter handle and base ring from the diverter body by unscrewing the base ring anti-clockwise.
10. From the underside of the bath, feed the diverter body up through one of your pre-drilled holes. Re-attach the diverter handle and base ring by screwing the base ring clockwise onto the diverter body.
11. Secure the diverter body into position by tightening the nut. Final adjustment can be made by tightening the adjustment screws.



Fitting the shower escutcheon:

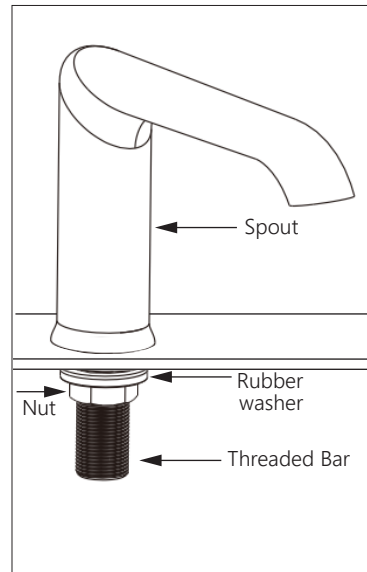
12. Remove the nut, metal washer and rubber washer from the threaded bar.
13. From the top of the bath, feed the threaded bar through one of your pre-drilled holes.
14. From the underside of the bath, secure the shower escutcheon in position by re-attaching the rubber washer and metal washer and tightening the nut.



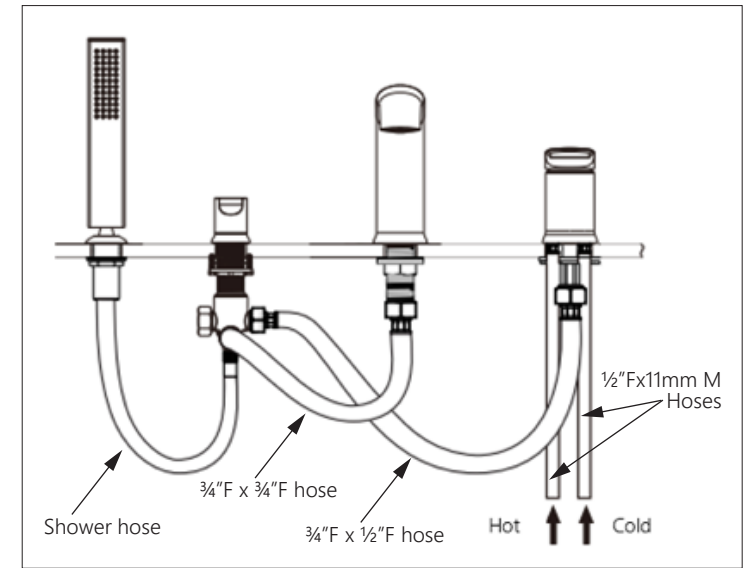
Fitting the spout:*

15. Remove the nut, and rubber washer from the threaded bar.
16. From the top of the bath, feed the threaded bar through one of your pre-drilled holes.
17. From the underside of the bath, secure the spout in position by re-attaching the rubber washer and tightening the nut.

* Not included with VA.135. Please order separately item VA.918

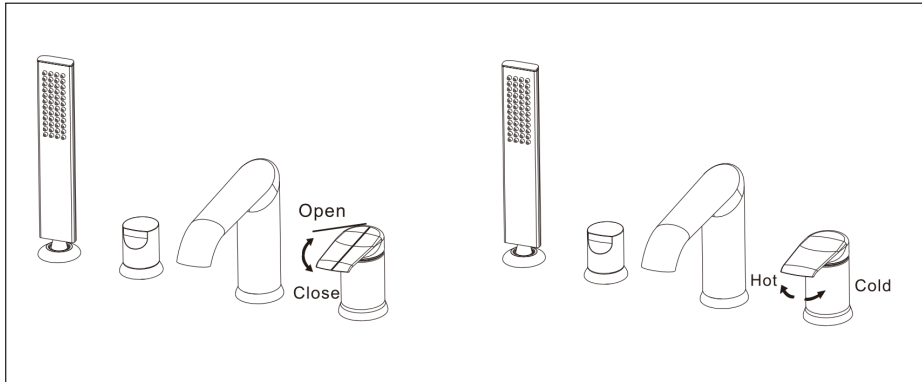


18. Connect the components together as shown in below diagram and connect to the water supply. If using a bath filler waste instead of a spout, connect the $\frac{3}{4}$ " F x $\frac{3}{4}$ " F hose to the filler waste, referring to the separate instructions supplied with that product.

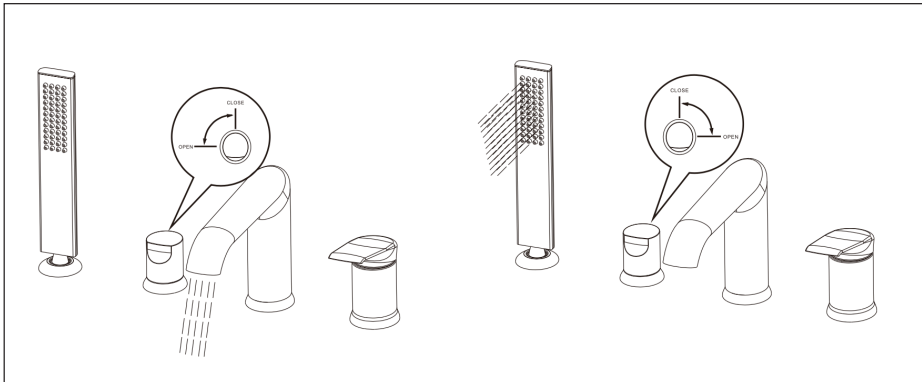


19. Turn on the water supply and check for leaks with the mixer in the on and off positions and water diverting to the spout and shower handset.

20. To operate and control the flow, lift the lever upwards. Turn the lever left for hotter water and right for colder water.



21. To operate the shower handset, turn the diverter knob 90 degrees clockwise from the central (off) position. To operate the spout or filler, turn the diverter 90 degrees anticlockwise from the central position.



NOTE: The diverter should never be left in the central (off) position

Contact Us

Should you need any assistance, please e-mail us at info@armera.co.uk or call 01225 251 204

Caring for your Armera product

We recommend only cleaning your product with a soft damp cloth. Please do not use any other cleaning products as they may damage the high quality finish of this product.

Guarantee

This Armera product is guaranteed against manufacturing defects. The cover period is from date of supply to the Armera customer and will last for 2 years for parts and labour. The parts guarantee can be extended to 15 years by registering your guarantee. To register your guarantee and review all guarantee conditions, please go to www.armera.co.uk

