

# ARMERA<sup>®</sup>

## Installation Instructions

Exposed thermostatic bath shower mixer

TH.325



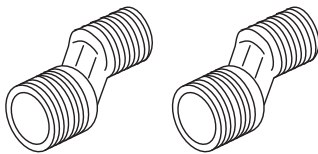
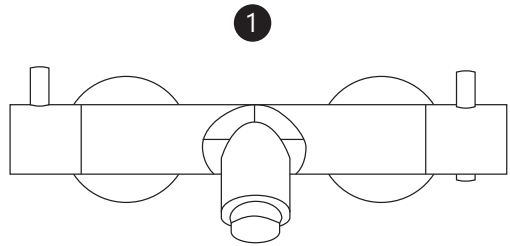
## Please Note

Please follow all instructions carefully. Failure to do so could invalidate your guarantee. As with the installation of any water bearing product, you must make sure that any laws prevalent to your area are followed. Such laws may include Local & National Water Supply Authority Regulations or Byelaws and Building and Plumbing Regulations. We recommend that a qualified registered plumber is used to install your product. Please ensure that when fitted, the product is easily accessed for service and maintenance requirements. ARMERA cannot be held liable for costs associated with accessing the product after it is fitted.

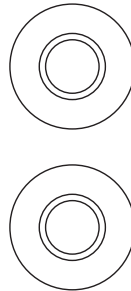
## Before starting installation

Please remove all packaging and make sure no components are missing. The following components should be present:

ITEM	DESCRIPTION
1	Thermostatic valve body
2	Cranked connectors
3	Escutcheons
4	Washers/filters
5	Allen key



2



3



4



5

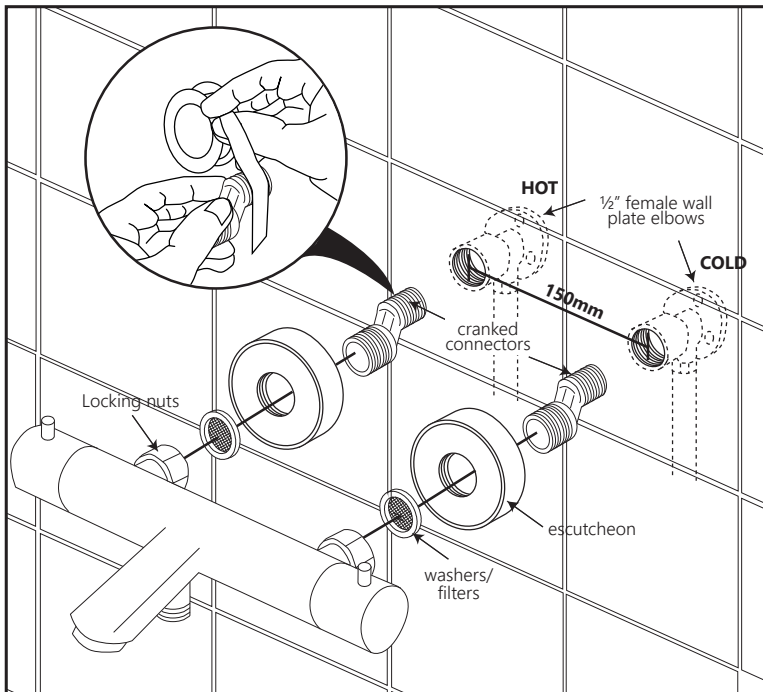
### RECOMMENDED WATER INLET PRESSURES AND TEMPERATURES:

1 bar to 5 bar	Hot Supply Temperature °C	55 to 65
	Cold Supply Temperature °C	Max. 25

## Installation

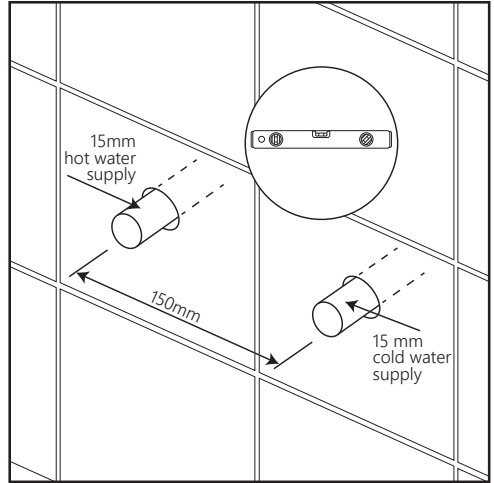
1. This product requires adequately balanced hot and cold water supplies.
2. Before installation, please ensure that the plumbing system has been fully flushed to remove dirt and debris.
3. Turn off the water supply.
4. Decide on the position at which to install the thermostatic valve and set the hot and cold pipework at 150mm centres using ½" female wall plate elbows (not supplied).
5. Using PTFE tape, screw the cranked connectors into the ½" female wall plate elbows.
6. Attach the escutcheons onto the cranked connectors.
7. Insert the washers/filters into the locking nuts and screw the locking nuts onto the cranked connectors.

**NOTE** the cranked connectors can be adjusted to ensure the valve is level.

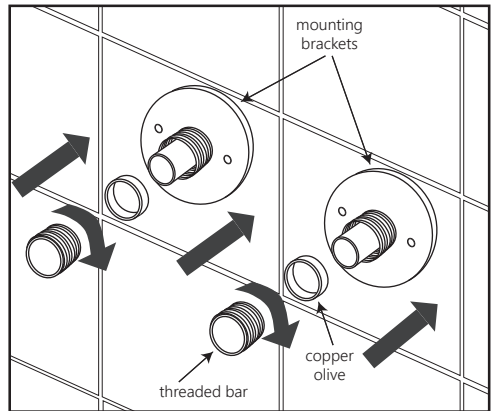


## If fitting using Armera fast fix brackets (part code SH.901 sold separately)

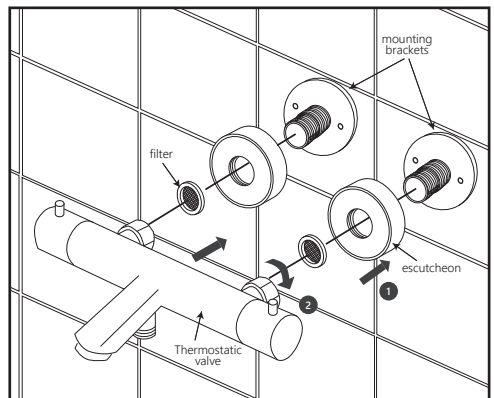
1. Feed the 15mm cold and hot water supplies through the wall onto which the valve will be mounted. Please ensure to set the pipes at 150mm centres and use a spirit level to ensure they are level.



2. Feed the 15mm supply pipes into the mounting brackets and secure the brackets to the wall using the rawl plugs and fixing screws provided. Slide the copper olives onto the 15mm supply pipes and then screw the threaded bars into the mounting brackets. Tighten the threaded bars to ensure that the copper olives are compressed onto the 15mm supply pipes. If necessary cut the 15mm supply pipes to ensure that they do not protrude through the end of the threaded bars.



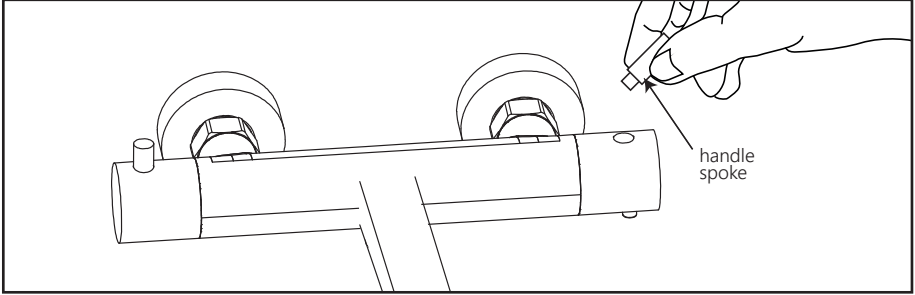
3. Attach the escutcheons and thermostatic valve to the fast fix brackets. Please ensure to insert the filters into the inlets of the thermostatic valve before attaching it to the fast fix brackets.



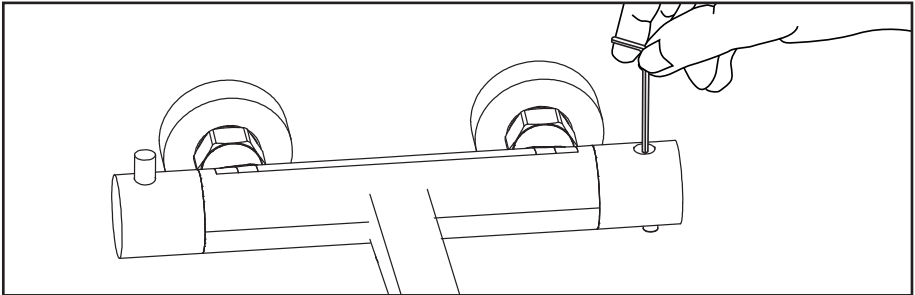
## Calibrating the thermostatic cartridge

This product has been factory set to achieve correct temperature outputs under balanced water pressures. In some installations where pressure is not correctly balanced, you may need to re-calibrate the thermostatic cartridge.

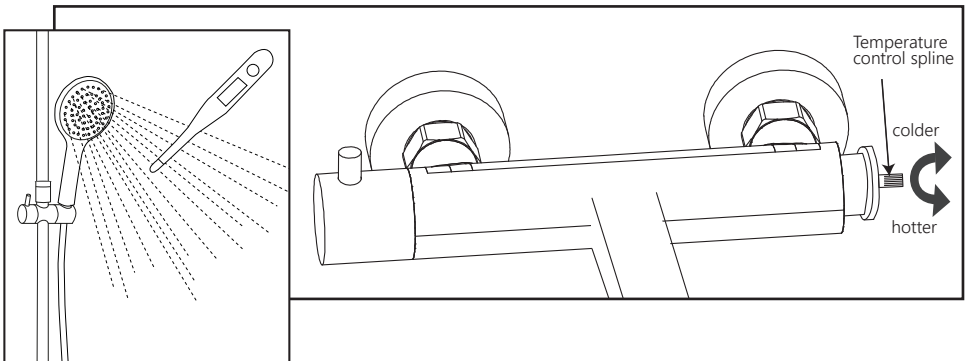
1. Unscrew the spoke from the top of the thermostatic control handle.



2. Use an allen key to loosen the grub screw on top of the handle. The handle can then be removed from the valve body.



3. Use a thermometer to test the water temperature from one of the outlets. Adjust the temperature by turning the temperature control spline clockwise or anticlockwise until 38°C is achieved. Re-attach the handle with the handle spoke pointing upwards.



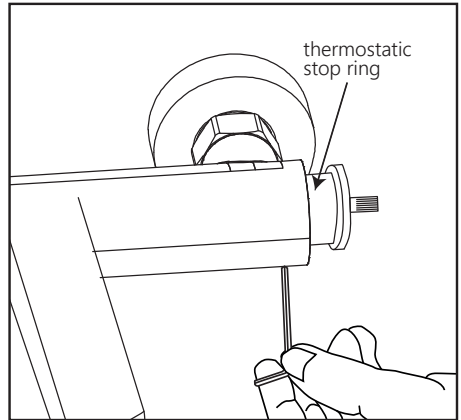
## Maintenance

We recommend that the flow cartridge and thermostatic cartridge are removed annually and checked for any signs of dirt or limescale. If dirt or limescale is found, the cartridge should be cleaned and all limescale removed.

**!** Please ensure that the hot and cold water supplies to the valve are fully isolated before performing any maintenance.

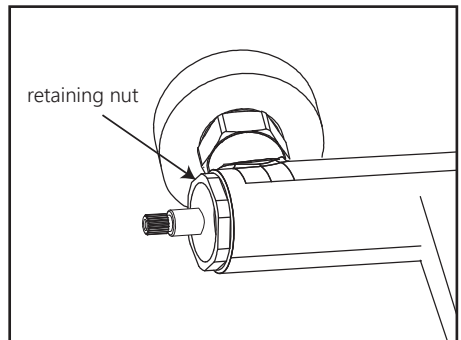
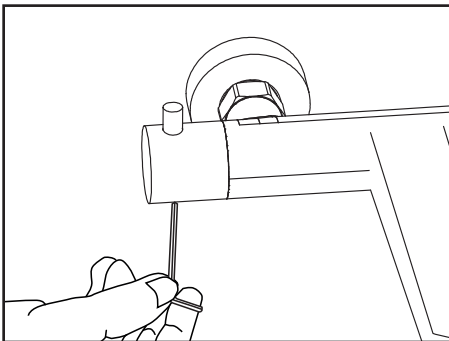
### To remove the thermostatic cartridge

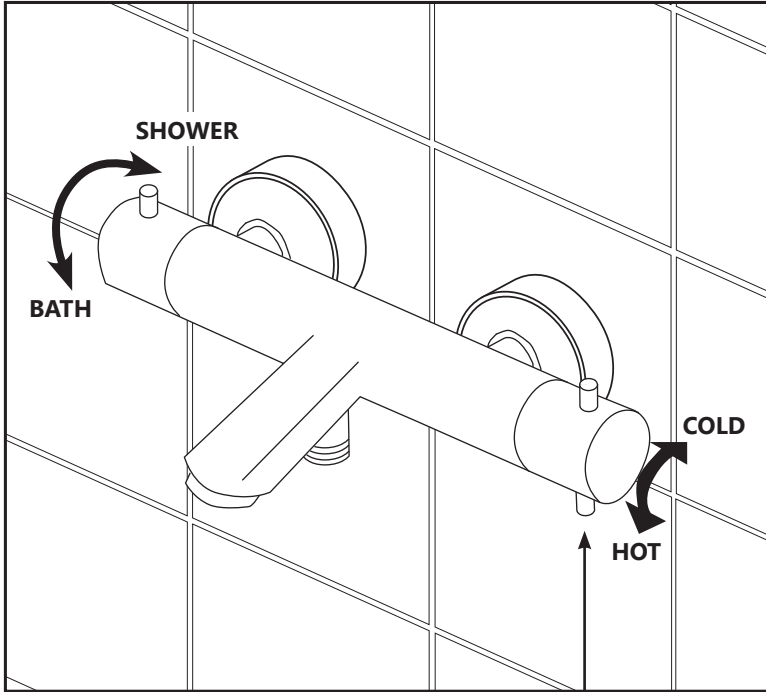
1. Remove the thermostatic handle by following steps 1 and 2 from the "calibrating the thermostatic cartridge" section in these instructions.
2. Remove the thermostatic stop ring.
3. Use an allen key to unscrew the grub screw at the bottom of the valve. The thermostatic cartridge can then be pulled out of the valve body using a pair of grips.



### To remove the flow cartridge

1. Loosen the grub screw on the underside of the flow control handle and remove the handle from the body.
2. Unscrew the retaining nut from the valve body. The flow control cartridge can then be pulled out of the valve body using a pair of grips.





Press button to override  
38°C safety stop

## Contact Us

Should you need any assistance, please e-mail us at [info@armera.co.uk](mailto:info@armera.co.uk) or call 01225 251 204

## Caring for your Armera product

We recommend only cleaning your product with a soft damp cloth. Please do not use any other cleaning products as they may damage the high quality finish of this product.

## Guarantee

This ARMERA product is guaranteed against manufacturing defects. The cover period is from date of supply to the Armera customer and will last for 2 years for parts and labour. The parts guarantee can be extended to 15 years by registering your guarantee. To register your guarantee and review all guarantee conditions, please go to [www.armera.co.uk](http://www.armera.co.uk)

