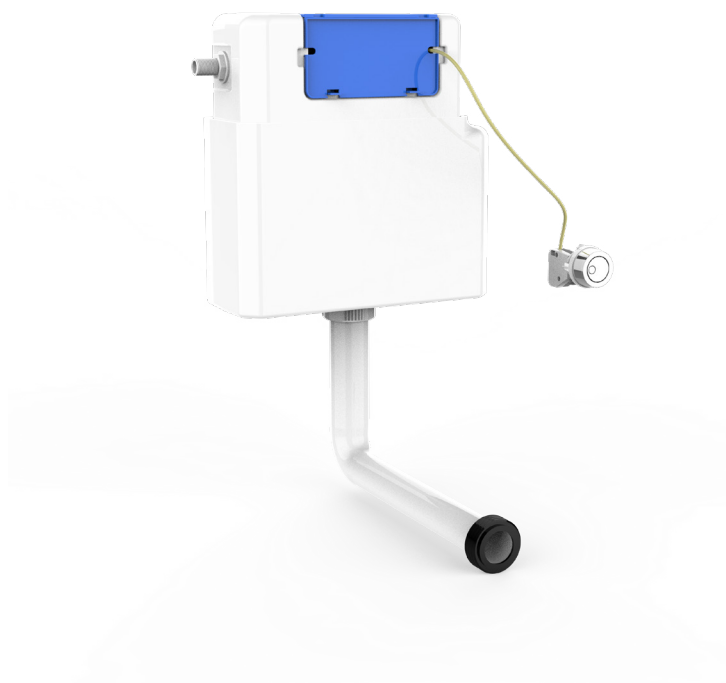


# ARMERA<sup>®</sup>

## Installation Instructions

### Concealed cistern for furniture unit

CI.736



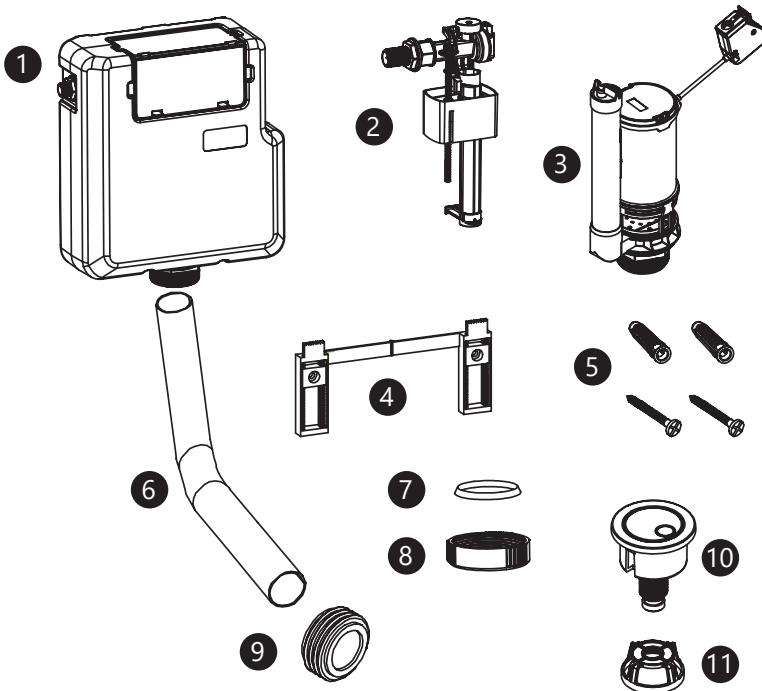
## Please Note

Please follow all instructions carefully. Failure to do so could invalidate your guarantee. As with the installation of any water bearing product, you must make sure that any laws prevalent to your area are followed. Such laws may include Local & National Water Supply Authority Regulations or Byelaws and Building and Plumbing Regulations. We recommend that a qualified registered plumber is used to install your product. Please ensure that when fitted, the product is easily accessed for service and maintenance requirements. Armera cannot be held liable for costs associated with accessing the product after it is fitted.

## Before starting installation

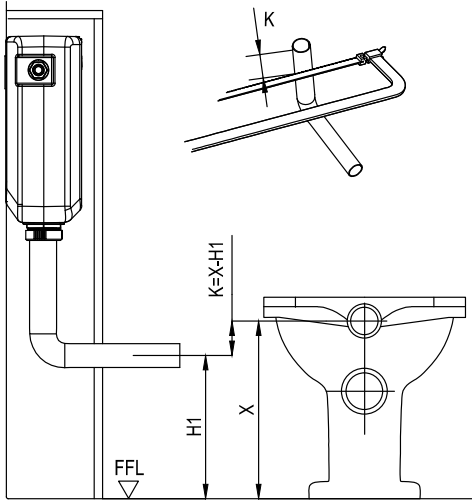
Please remove all packaging and make sure no components are missing. The following components should be present:

	DESCRIPTION	6	Flush bend
1	Cistern tank	7	Seal
2	Inlet valve (fixed inside tank)	8	Flush bend nut
3	Flush valve (fixed inside tank)	9	Pan sealing cone
4	Wall mounting bracket	10	Button
5	Screws and rawl plugs (x2)	11	Nut

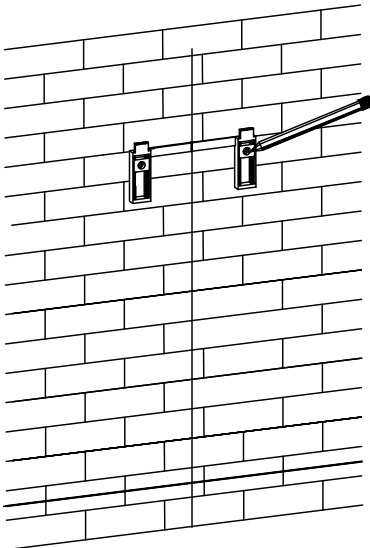


# Installation

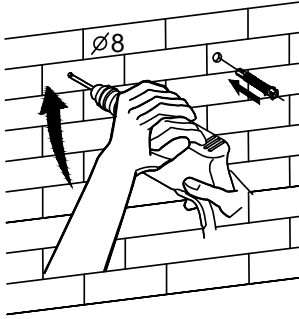
1. Decide on the position where the cistern will be mounted to the wall. Remember to allow for maximum height restriction of any furniture unit in which the cistern will be mounted. The flush bend can be cut down to fit with the dimensions of your chosen WC.



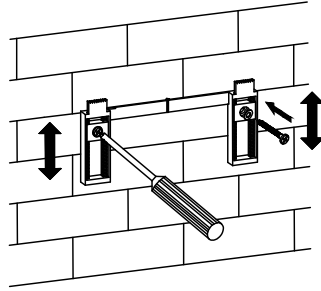
2. Mark the fixing points of the wall bracket so that when attached to the bracket, the cistern tank mounts to the wall in your chosen position.



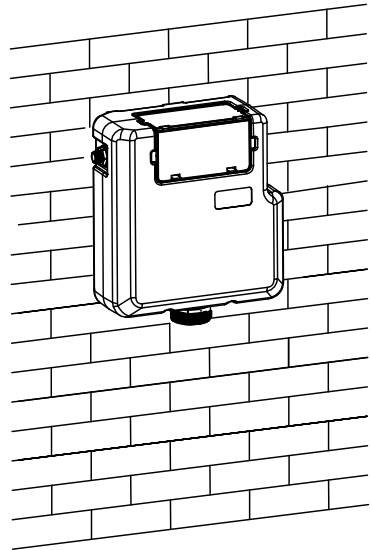
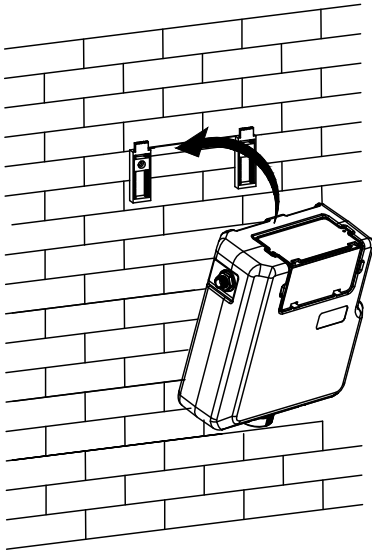
3. Drill holes and insert the rawl plugs.



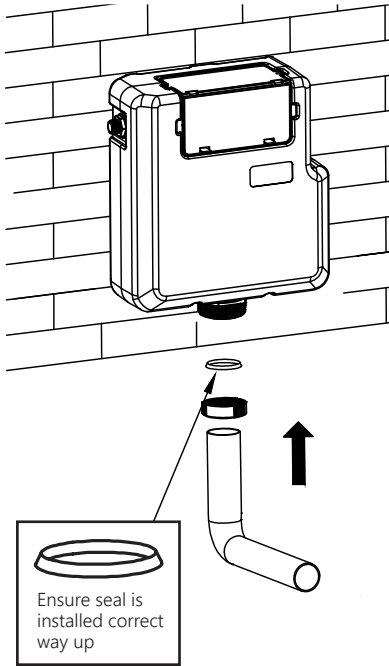
4. Attach the bracket to the wall. NOTE the bracket does allow for vertical adjustment if required.



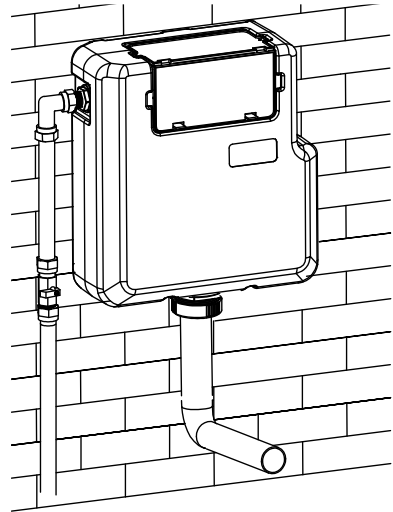
5. Slide the tank onto the wall bracket and secure it in position by locating the bracket clips onto the tank.



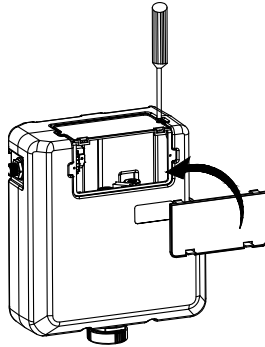
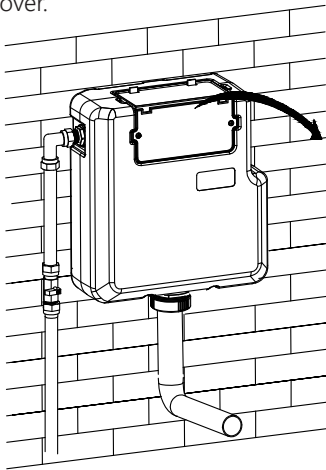
6. Attach flush bend to the tank using the flush bend nut and seal.



7. Connect the water supply

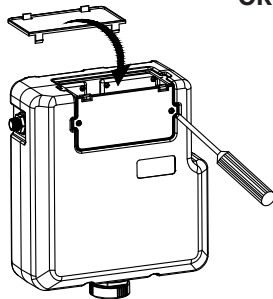


8. Fit the protective covers, allowing the flush cable to feed through either the top or front cover.



If you require the flush cable to come out of the front, fix the screw in panel on top and the clip-on panel at the front (feeding the cable through the slots in the panel before fixing it in place)

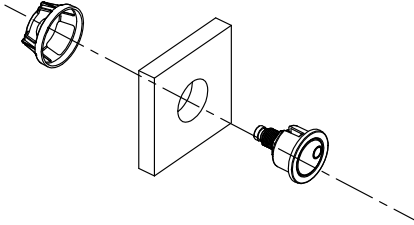
**OR**



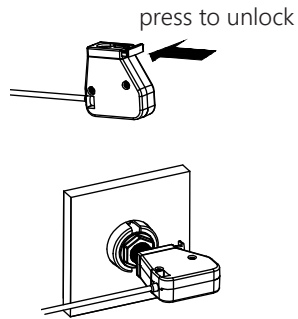
If you require the flush cable to come out of the top, fix the screw in panel on front and the clip-on panel at the top (feeding the cable through the slots in the panel before fixing it in place)

## Fitting the flush button

1. Drill a 38mm diameter hole in the chosen position in the furniture where the button will be mounted. Insert the button into the hole and secure in position using the nut.

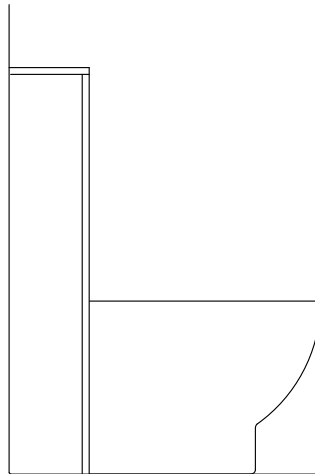
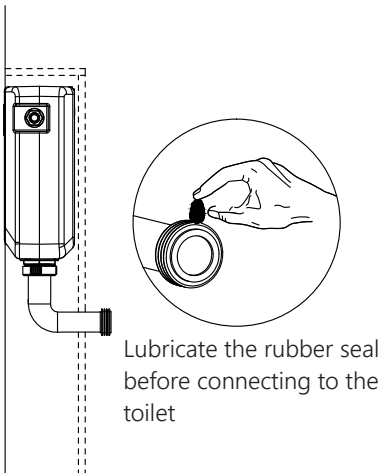


2. Attach the flush cable to the button



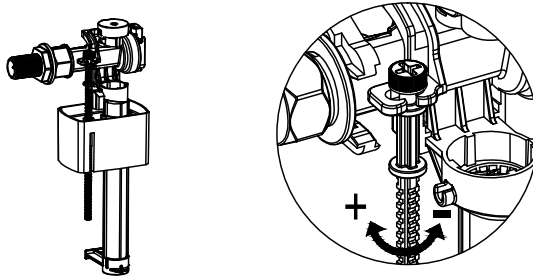
## Installing the WC

Cut holes in the furniture for the WC pipework and refer to fitting instructions provided with your chosen WC.



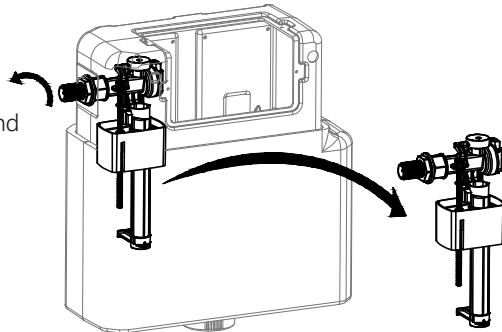
## Maintenance

1. The water level in the cistern can be adjusted by accessing the inlet valve inside the cistern. Turning the adjuster clockwise will increase the amount of water held in the cistern. Turning anti-clockwise will decrease the amount of water.

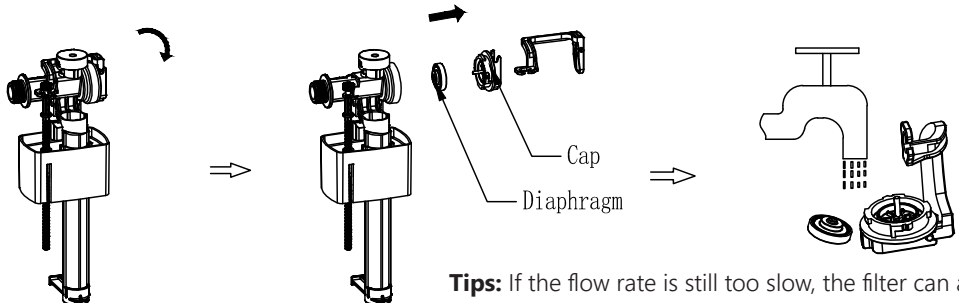


2. If the cistern becomes slow to fill or does not stop filling, the fill valve can be removed and cleaned or replaced.

Turn the nut counterclockwise and remove the water inlet valve

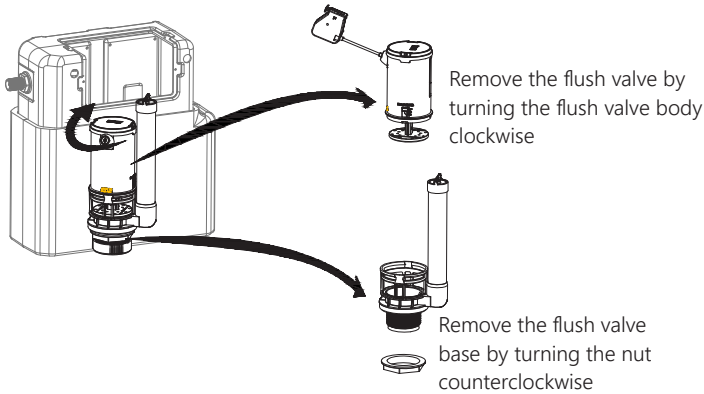


3. Maintenance of inlet valve

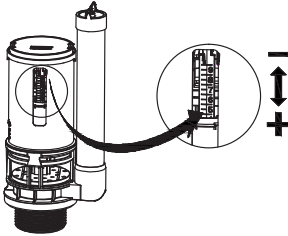


**Tips:** If the flow rate is still too slow, the filter can also be removed from the inlet of the valve for cleaning using long nose pliers. Ensure to reinsert the filter before reconnecting the water

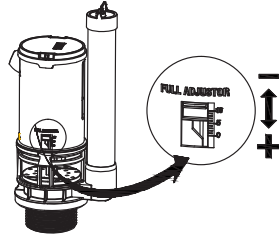
## Removing the flush valve from the tank



## Adjusting volume of flush

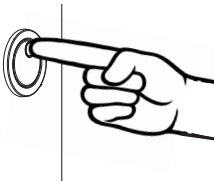


Adjustment of half flush

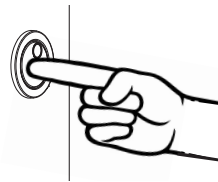


Adjustment of full flush

## Operation



Press the small button for half flush (factory set at 3 litres)  
\*Note: you do not need to press the small button in on its own. Pressing the flush button with your finger covering the small button will actuate a half flush.



Press the larger button for a full flush (factory set at 5 litres)

## Contact Us

Should you need any assistance, please e-mail us at [info@armera.co.uk](mailto:info@armera.co.uk) or call 01225 251 204

## Guarantee

This ARMERA product is guaranteed against manufacturing defects. The cover period is from date of supply to the Armera customer and will last for 2 years for parts and labour. The parts guarantee can be extended to 5 years by registering your guarantee. To register your guarantee and review all guarantee conditions, please go to [www.armera.co.uk](http://www.armera.co.uk)

