

# ARMERA<sup>®</sup>

## Installation Instructions

### Opa

1 door wall hung unit  
model: 640



## Contact Us

Should you need any assistance, please e-mail us at [info@armera.co.uk](mailto:info@armera.co.uk) or call 01225 251 204

## Guarantee

This ARMERA product is guaranteed against manufacturing defects. The cover period is from date of supply to the Armera customer and will last for 2 years for parts and labour. The parts guarantee can be extended to 10 years by registering your guarantee. To register your guarantee and review all guarantee conditions, please go to [www.armera.co.uk](http://www.armera.co.uk)



## Please Note

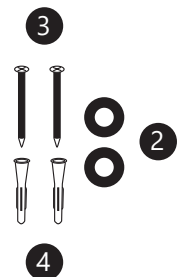
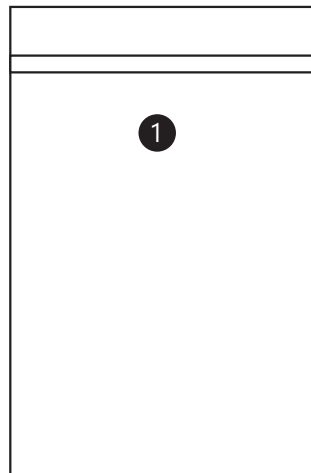
Please follow all instructions carefully. Failure to do so could invalidate your guarantee. Please ensure that when fitted, the product is easily accessed for service and maintenance requirements. ARMERA cannot be held liable for costs associated with accessing the product after it is fitted.

## Before starting installation

Whilst these products are made to a high standard, please take every care when handling them to avoid surface damage.

Please remove all packaging and make sure no components are missing. The following components should be present:

| ITEM | DESCRIPTION    |
|------|----------------|
| 1    | Furniture unit |
| 2    | Washers x2     |
| 3    | Screws x 2     |
| 4    | Rawl plugs x 2 |

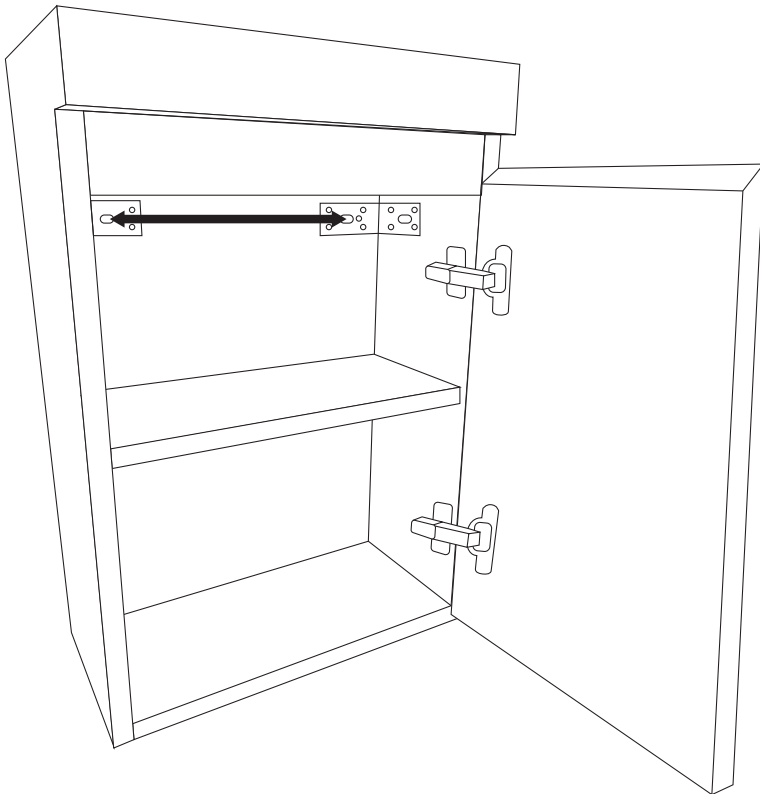


## Installation

Before drilling any holes, please make sure you are aware of the location of electric wires and other pipes that may sit in or behind the wall.

It is recommended to install to a solid wall, but if fitting to a stud wall, the fixings must be secured into a stud, not only into the plasterboard.

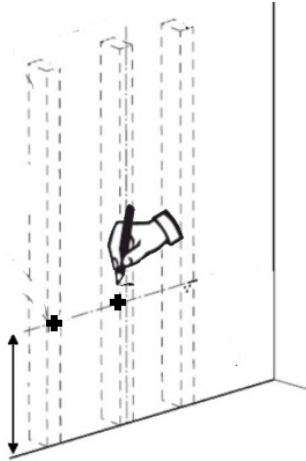
1. Fitted on the inside of the unit are 2 brackets with a hole drilled through the unit. Measure the distance between the 2 holes:



- Decide the desired height of the basin unit and mark a horizontal line on the wall (recommended height is shown below). Use the measurement made in step 1 to mark the position of the fixing holes on the wall.

**Recommended height:**

When using ARMERA cabinet basin (CB.723):  
720mm



- Use a spirit level to check all markings are level then drill holes in the screw positions using a 10mm drill bit (not supplied) to a depth of approx. 60mm.
- Fix the unit to the wall using the rawl plugs and screws provided.
- If required, the door can be removed and mounted on the left hand side of the cabinet by unscrewing the hinges and re-mounting them into the pre-drilled holes.
- Fit the basin to the unit by applying a bead of silicone between the unit and the basin to provide a seal. A bead of silicone should also be applied to the top back edge of the basin where it meets the wall.

