

ARMERA[®]

Installation Instructions

Atoll | Opa

Wall hung and floor standing furniture units

models: 620 and 630



Please Note

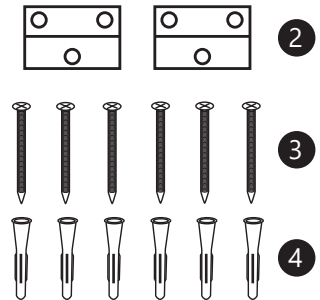
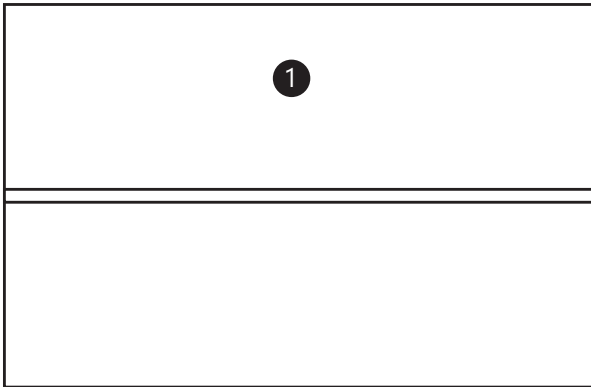
Please follow all instructions carefully. Failure to do so could invalidate your guarantee. Please ensure that when fitted, the product is easily accessed for service and maintenance requirements. ARMERA cannot be held liable for costs associated with accessing the product after it is fitted.

Before starting installation

Whilst these products are made to a high standard, please take every care when handling them to avoid surface damage.

Please remove all packaging and make sure no components are missing. The following components should be present:

ITEM	DESCRIPTION		
1	Furniture unit	3	Screws x 6
2	Wall fixing bracket x2	4	Rawl plugs x 6

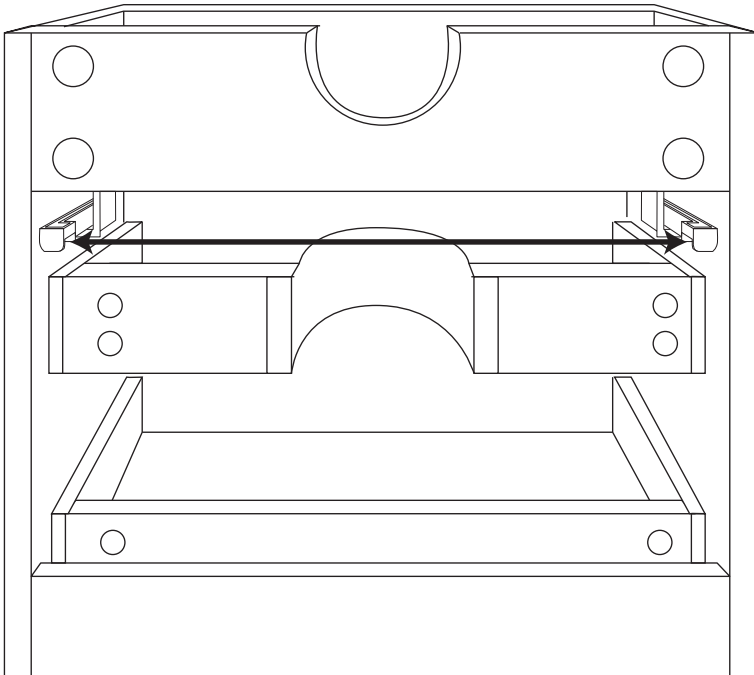


Installation

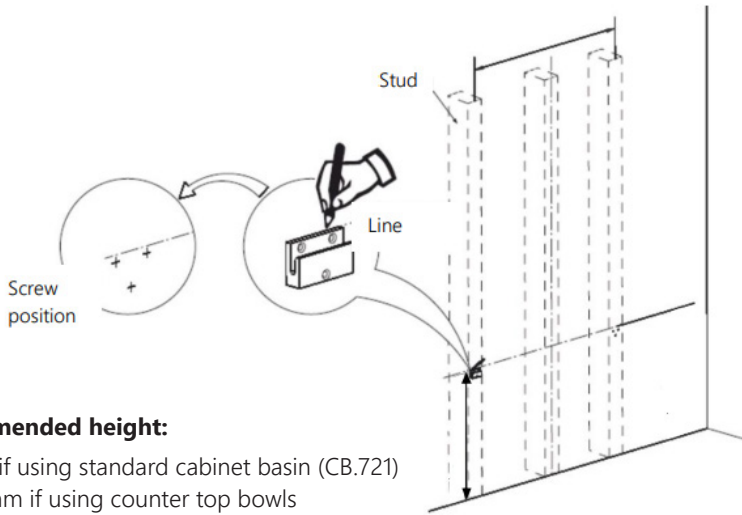
Before drilling any holes, please make sure you are aware of the location of electric wires and other pipes that may sit in or behind the wall.

It is recommended to install to a solid wall, but if fitting to a stud wall, the fixings must be secured into a stud, not only into the plasterboard.

1. Fitted to the rear of the unit are x 2 fixing brackets. Measure the distance between the two brackets:



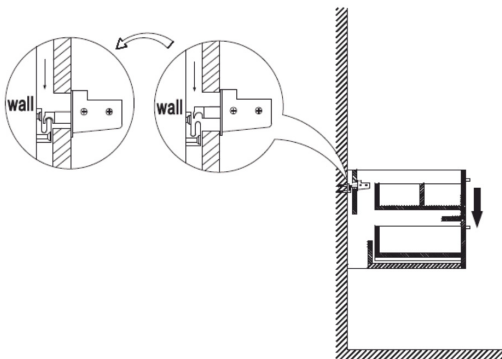
- Decide the desired height of the basin unit and mark a horizontal line on the wall (recommended heights are shown below). Use the measurement made in step 1 to mark the position of the fixing brackets on the wall ensuring that when the unit is attached to the brackets, the whole bracket fits inside the unit.



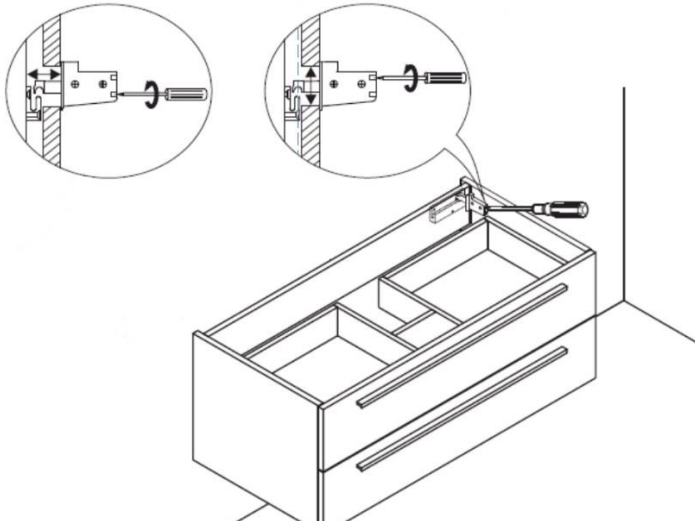
Recommended height:

720mm if using standard cabinet basin (CB.721)
or; 610mm if using counter top bowls

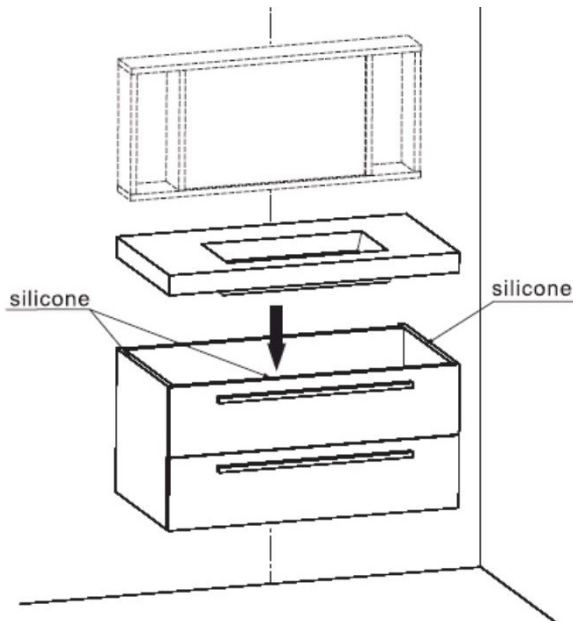
- Use a spirit level to check all markings are level then drill holes in the screw positions using an 8mm drill bit (not supplied) to a depth of approx. 40mm.
- Fix the brackets to the wall using the rawl plugs and screws provided.
- Check the brackets fitted to the unit are fully tightened, then lift the unit onto the wall fitted brackets.



6. If any adjustment forward, backward, up, or down is required this is possible via the fitted adjusters on the inside of the unit.

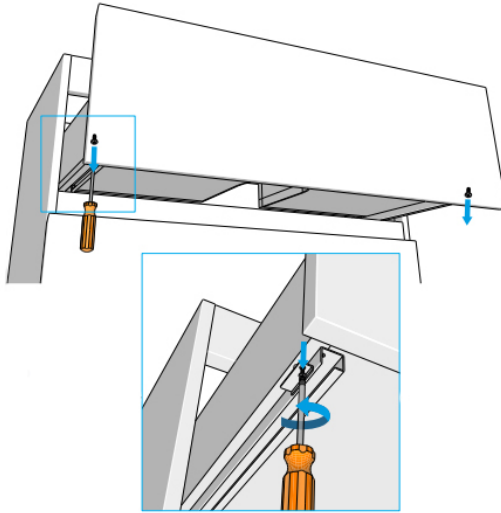


7. After any adjustment of the unit has been made, the basin can be fitted to the unit by applying a bead of silicone between the unit and the basin to provide a seal. A bead of silicone should also be applied to the top back edge of the basin where it meets the wall.



Removing drawers

If you need to remove drawers, remove the 2 screws that fix the drawer to the rails. The drawer can then be lifted off the rails and removed from the unit.



Contact Us

Should you need any assistance, please e-mail us at info@armera.co.uk or call 01225 251 204

Guarantee

This ARMERA product is guaranteed against manufacturing defects. The cover period is from date of supply to the Armera customer and will last for 2 years for parts and labour. The parts guarantee can be extended to 10 years by registering your guarantee. To register your guarantee and review all guarantee conditions, please go to www.armera.co.uk

