

ARMERA

Installation Instructions

Lagoon | Anthem

Wall Hung Toilets



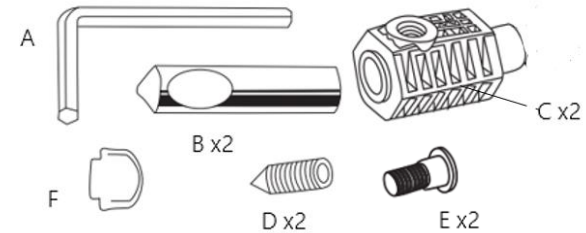
Please note

Please follow all instructions carefully. Failure to do so could invalidate your guarantee. As with the installation of any water bearing product, you must make sure that any laws prevalent to your area are followed. Such laws may include Local & National Water Supply Authority Regulations or Byelaws and Building and Plumbing Regulations. We recommend that a qualified registered plumber is used to install your product. Please ensure that when fitted, the product is easily accessed for service and maintenance requirements. Armera cannot be held liable for costs associated with accessing the product after it is fitted.

Before starting installation

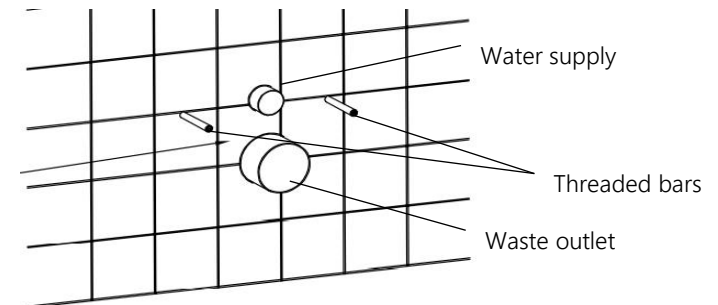
These products are made from vitreous china, so please take every care when handling them to avoid surface damage.

Please remove all packaging and make sure no components are missing. The following components should be present:

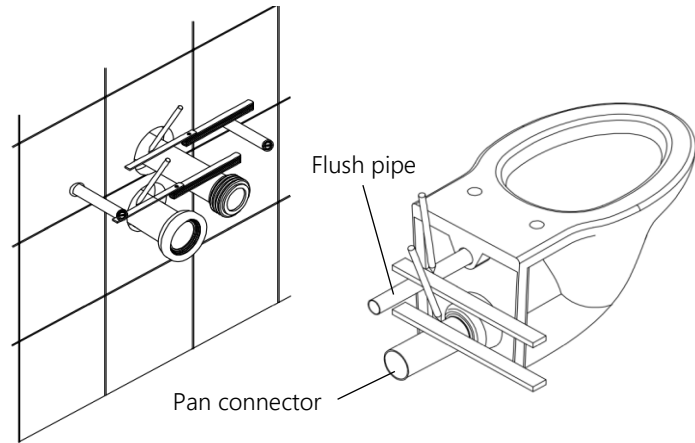


Installation

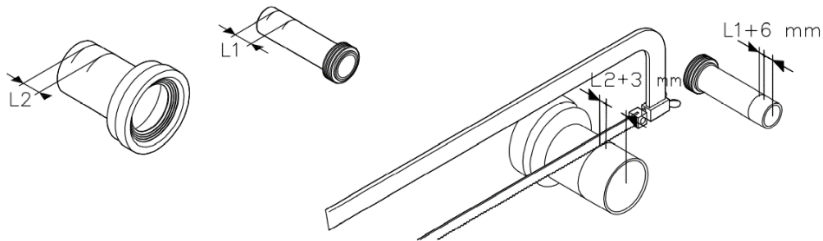
1. Follow the instructions for installation of concealed cistern frame (Armera part code CI.732 or CI.734). You will be left with the following parts protruding from the wall:



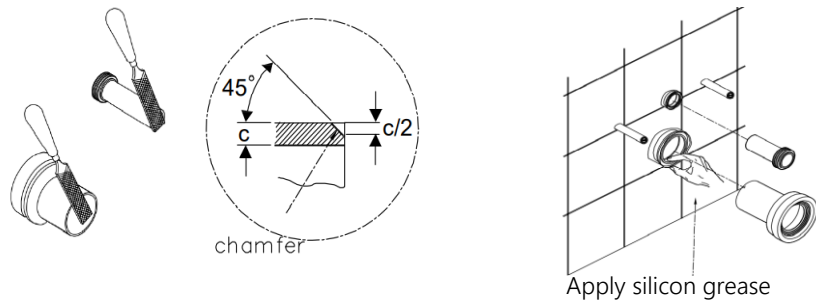
2. Mark the correct lengths for the flush pipe and pan connector (supplied with the concealed cistern).



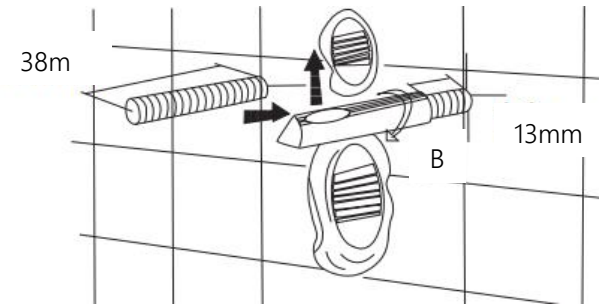
3. Cut the flush pipe and pan connector to the correct length.



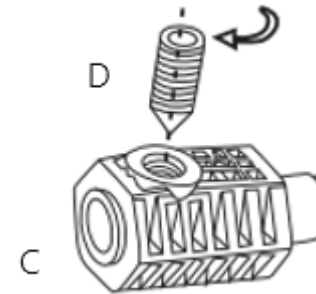
4. Make a chamfer on the outer face of the flush pipe and pan connector and apply silicon grease to the inner face of the pipes in the wall.



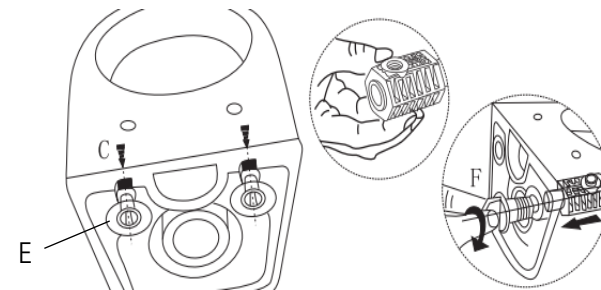
5. Cut the threaded bars on the wall to a length of 38mm then screw part B onto the threaded bars ensuring the machined groove faces upwards.



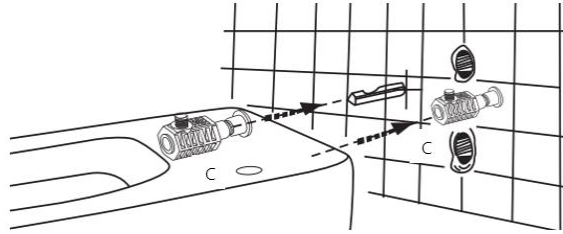
6. Screw part D into part C



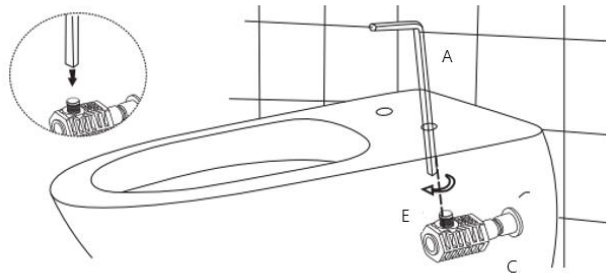
7. Insert Part C into the inside of the toilet mounting hole. Secure in position by screwing part E onto part C. Tighten using part F.



8. Offer the toilet up to the wall, sliding part B into part C and connecting the flush pipe and pan connector into the corresponding pipes in the wall.



9. Insert the allen key (A) into the seat cover hole in the toilet pan. Use it to tighten the grub screws (E), securing the toilet pan in position.



Contact us:

Should you need any assistance, please email us at info@armera.co.uk or call 01225 251204

Guarantee

This Armera product is guaranteed against manufacturing defects. The cover period is from date of supply to the Armera customer and will last for 2 years for parts and labour. The parts guarantee can be extended to 25 years by registering your guarantee. To register your guarantee and review all guarantee conditions, please go to www.armera.co.uk

