

# ARMERA®

## Installation Instructions

Latitude | Oculus | Maze | Vaere

### Wall Mounted Basin Mixers



### Please note

Please follow all instructions carefully. Failure to do so could invalidate your guarantee. As with the installation of any water bearing product, you must make sure that any laws prevalent to your area are followed. Such laws may include Local & National Water Supply Authority Regulations or Byelaws and Building and Plumbing Regulations. We recommend that a qualified registered plumber is used to install your product. Please ensure that when fitted, the product is easily accessed for service and maintenance requirements. Armera cannot be held liable for costs associated with accessing the product after it is fitted.

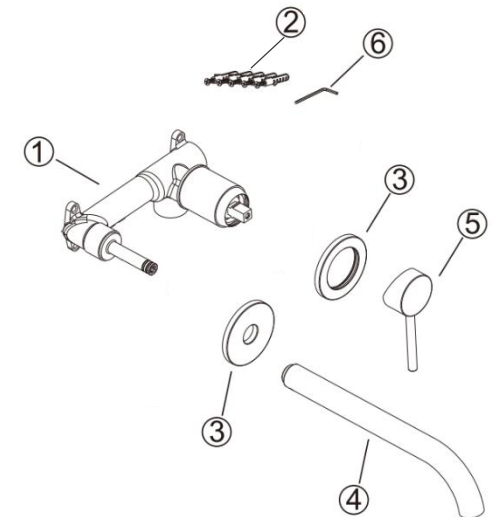
### Before starting installation

These products are made from plated brass, so please take every care when handling them to avoid surface damage.

Please remove all packaging, and make sure no components are missing. The following components should be present:

Vaere, Oculus and Maze:

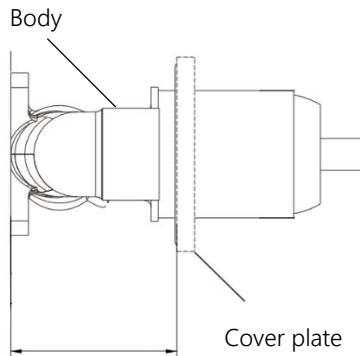
Item	Description
1	Body
2	Screws & rawlplugs
3	Cover plate
4	Spout
5	Handle
6	Allen key



## Installation Instructions

1. This product requires adequately balanced hot and cold water supplies.
2. Turn off water supply.
3. Calculate how deeply the body should be set into the wall using the depth tolerances in the table below. Remember to allow for the thickness of finished wall surfaces and decoration (plasterboard, adhesive, tiles etc.)

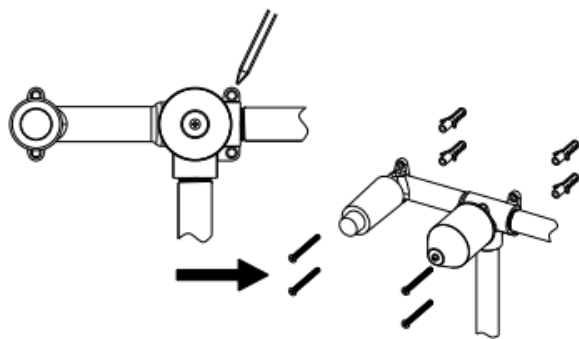
Oculus & Maze:



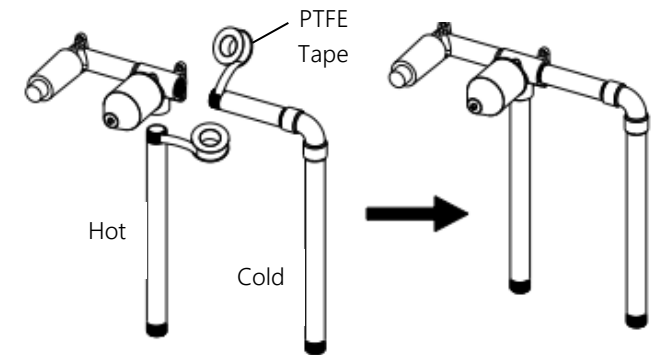
Model	Depth Tolerance
LA.113	46 - 75mm
OC.113	43 - 75mm
MA.113	43 - 75mm
VA.113	43 - 75mm

Depth Tolerance

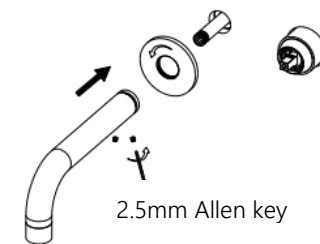
4. On the installation wall, mark the 4 drill holes that correspond to the holes on the body and drill the holes.
5. Insert the rawlplugs and then screw the body into the wall with the 4 screws provided.



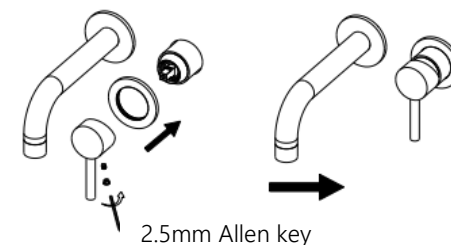
6. Connect the body to your water supply, making sure the hot water is fed to the bottom inlet, and the cold from the side.



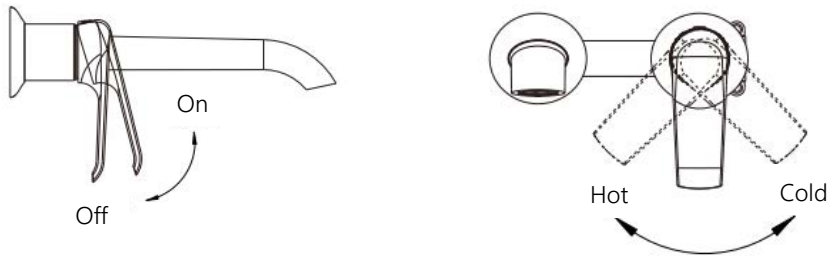
7. These products come fitted with 2 plastic protective covers to allow the body to be fitted before any tiling or painting of the bathroom takes place. Please remove these once any decoration is complete and you are ready to add the spout and handle.
8. Slide on the spout cover plate and then push the spout onto the water outlet. Secure the spout in position by tightening the grub screws.
9. Secure the spout in position with the two M5 grub screws.



10. Slide on the handle cover plate then attach the handle and secure it in position by tightening the grub screws.



11. Lift the lever towards you operate and control the flow. Turn the lever left for hotter water and right for colder.



### Contact us:

Should you need any assistance, please email us at [info@armera.co.uk](mailto:info@armera.co.uk) or call 01225 251204

### Caring for your Armera product

We recommend only cleaning your product with a soft damp cloth. Please do not use any other cleaning products as they may damage the high quality finish of this product.

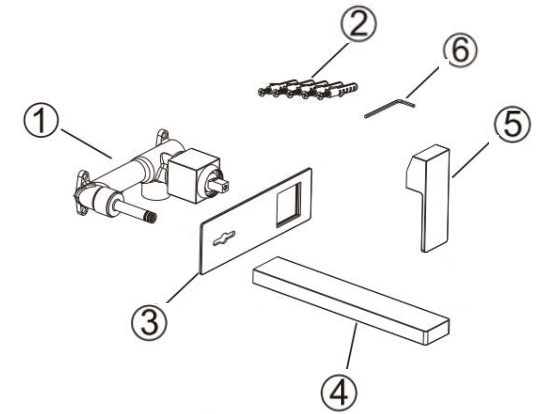
### Guarantee

This Armera product is guaranteed against manufacturing defects. The cover period is from date of supply to the Armera customer and will last for 2 years for parts and labour. The parts guarantee can be extended to 15 years by registering your guarantee. To register your guarantee and review all guarantee conditions, please go to [www.armera.co.uk](http://www.armera.co.uk)



Latitude:

Item	Description
1	Body
2	Screws & rawlplugs
3	Cover plate
4	Spout
5	Handle
6	Allen key



Do not dismantle the product. The cartridge has been calibrated and tested and must not be tampered with prior to installation.

Before installation, please ensure that the plumbing system has been fully flushed to remove dirt and debris.

We recommend water inlet pressures of 0.2 to 5 bar.