

# ARMERA®

## Installation Instructions

Aeres | Latitude | Oculus | Maze | Vaere

### Monobasin & Extended Monobasin Mixers



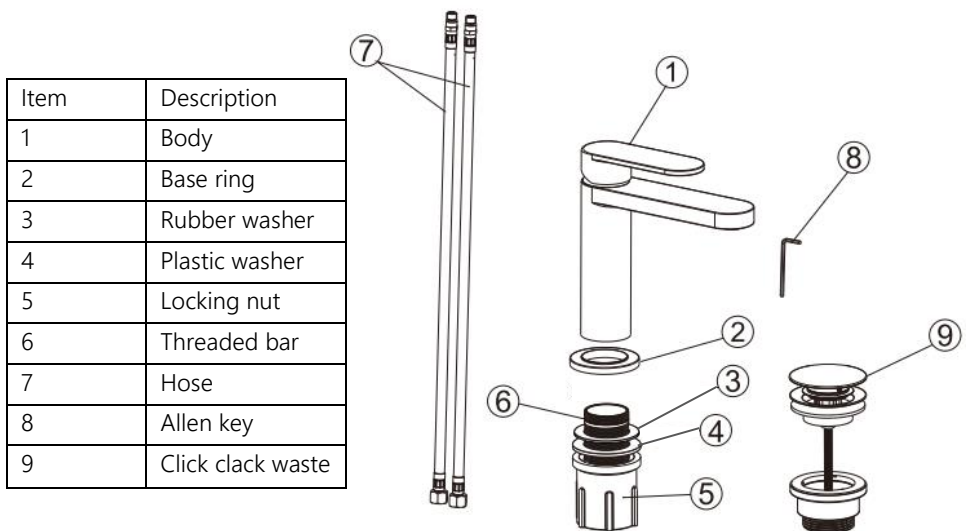
## Please note

Please follow all instructions carefully. Failure to do so could invalidate your guarantee. As with the installation of any water bearing product, you must make sure that any laws prevalent to your area are followed. Such laws may include Local & National Water Supply Authority Regulations or Byelaws and Building and Plumbing Regulations. We recommend that a qualified registered plumber is used to install your product. Please ensure that when fitted, the product is easily accessed for service and maintenance requirements. Armera cannot be held liable for costs associated with accessing the product after it is fitted.

## Before starting installation

These products are made from plated brass, so please take every care when handling them to avoid surface damage.

Please remove all packaging and make sure no components are missing. The following components should be present:



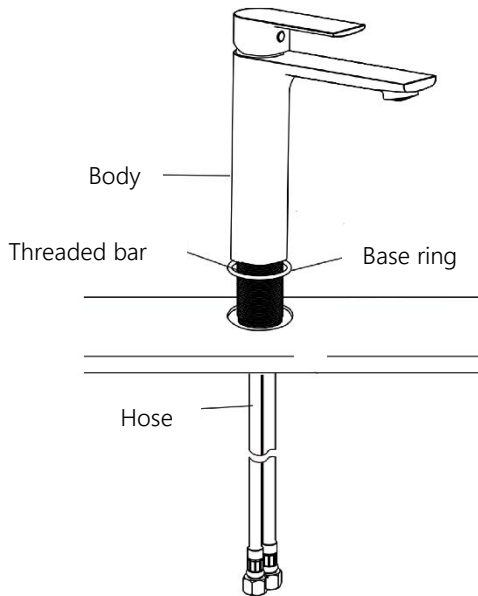
Do not dismantle the product. The cartridge (located in the body) has been calibrated and tested and must not be tampered with prior to installation.

Before installation, please ensure that the plumbing system has been fully flushed to remove dirt and debris.

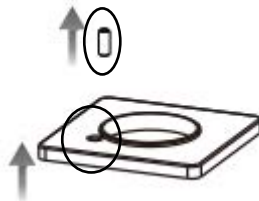
We recommend water inlet pressures of 0.2 to 5 bar.

## Installation Instructions

1. This product requires adequately balanced hot and cold water supplies.
2. Turn off water supply.
3. Drill a hole  $\Phi 35\text{mm}$  where you wish the mixer to be located.
4. Unscrew the threaded bar from the plastic locking nut.
5. Install the threaded bar and hoses into the body. Blue hose to the right, red to the left (as looked at when facing the spout). Make sure they are firmly screwed together.
6. Put the base ring over the drilled hole and feed the threaded bar and hoses through the base ring and the drilled hole.

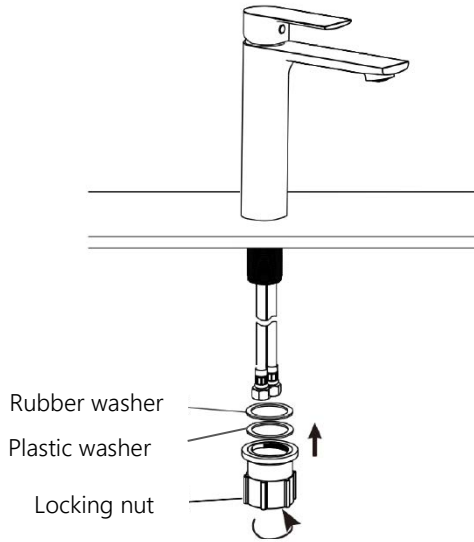


NOTE, square products have a locating lug to make sure the base ring is not installed at an angle:

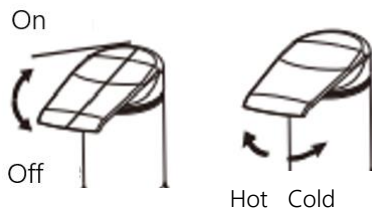


7. Position the plastic and rubber washers on top of the locking nut.

- Screw the locking nut onto the threaded bar and tighten it to secure the body firmly in position.



- Connect the hoses to the water supply: Blue hose to the cold supply and red hose to the hot supply.
- Install the waste. See separate instructions in the waste box.
- Turn the water supply back on and check for any leaks with the mixer on and off.
- Lift the lever to operate and control the flow. Turn the lever left for hotter water and right for colder.



## Contact us:

Should you need any assistance, please email us at [info@armera.co.uk](mailto:info@armera.co.uk) or call 01225 251204

## Caring for your Armera product

We recommend only cleaning your product with a soft damp cloth. Please do not use any other cleaning products as they may damage the high quality finish of this product.

## Guarantee

This Armera product is guaranteed against manufacturing defects. The cover period is from date of supply to the Armera customer and will last for 2 years for parts and labour. The parts guarantee can be extended to 15 years by registering your guarantee. To register your guarantee and review all guarantee conditions, please go to [www.armera.co.uk](http://www.armera.co.uk)

