

## Contact Us

Should you need any assistance, please e-mail us at [info@armera.co.uk](mailto:info@armera.co.uk) or call 01225 251 204

## Caring for your Armera product

We recommend only cleaning your product with a soft damp cloth. Please do not use any other cleaning products as they may damage the high quality finish of this product.

## Guarantee

This Armera product is guaranteed against manufacturing defects. The cover period is from date of supply to the Armera customer and will last for 2 years for parts and labour. The parts guarantee can be extended to 15 years by registering your guarantee. To register your guarantee and review all guarantee conditions, please go to [www.armera.co.uk](http://www.armera.co.uk)



# ARMERA®

## Installation Instructions

### Index thermostatic shower valves

IN.331.60 & IN.332.60



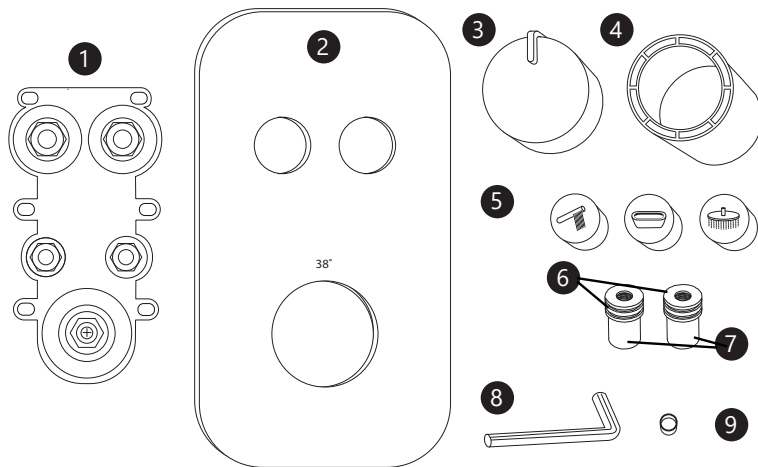
## Please Note

Please follow all instructions carefully. Failure to do so could invalidate your guarantee. As with the installation of any water bearing product, you must make sure that any laws prevalent to your area are followed. Such laws may include Local & National Water Supply Authority Regulations or Byelaws and Building and Plumbing Regulations. We recommend that a qualified registered plumber is used to install your product. Please ensure that when fitted, the product is easily accessed for service and maintenance requirements. Armera cannot be held liable for costs associated with accessing the product after it is fitted.

## Before starting installation

Please remove all packaging and make sure no components are missing. The following components should be present:

ITEM	DESCRIPTION	5	Flow control buttons (x3)
1	Valve body	6	Flow control bush (x2)*
2	Back plate	7	Flow control stem (x2)*
3	Temperature control handle	8	Allen key
4	Temperature control shroud	9	Grub screw cover



\* 2 outlet valve (IN.332.60) is shown for illustrative purposes only. For 1 outlet valve (IN.331.60) only 1 flow control bush and 1 flow control stem will be present.

Recommended water inlet pressures and temperatures:

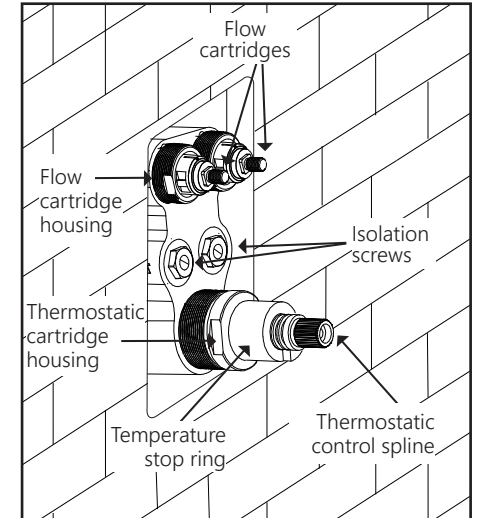
FUNCTION	RECOMMENDED PRESSURE	Hot Supply Temperature °C	55 to 65
Shower only	0.2 bar to 5 bar	Cold Supply Temperature °C	Max. 25
Bath fill	1 bar to 5 bar		

## Maintenance

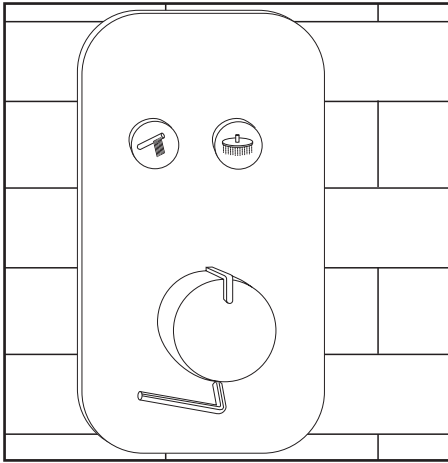
We recommend that the flow cartridges and thermostatic cartridge are removed annually and checked for any signs of dirt or limescale. If dirt or limescale is found, the cartridge should be cleaned and all limescale removed.

### To access flow cartridges and thermostatic cartridge

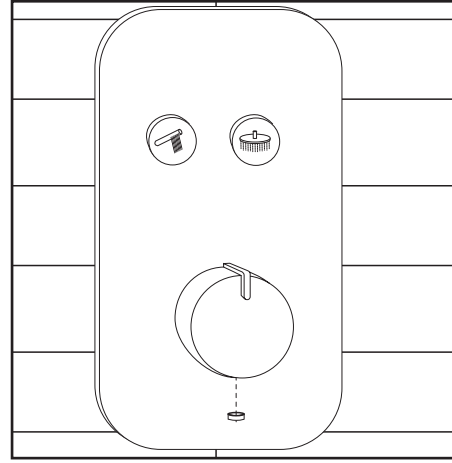
1. Remove the temperature control handle and pull off the backplate.
2. Remove the flow control buttons, stems and bushes and the temperature control shroud.
3. Isolate the water supply by turning the isolation screws clockwise until each screw is tight.
4. Check that the water supply is isolated by turning on the flow controls. Please ensure to keep away from any water outlets as it is possible that water may still escape through the outlets if the valve is not properly isolated.
5. Remove the thermostatic control spline and the temperature stop ring.
6. With the flow control still open, turn the splined stem of the thermostatic cartridge fully clockwise to its stopping point. Next, turn it fully anti-clockwise to its stopping point. If no water escapes, you have successfully isolated the valve. If water continues to escape, isolation has failed and you will need to isolate the water supply elsewhere in the system before proceeding to step 7.
7. Use a spanner to unscrew the cartridge housing from the valve body. Cartridges can then be removed by pulling them out of the valve body.
8. Inspect cartridges and clean as necessary.



14. Secure the temperature control handle in position by tightening the grub screw in the underside of the handle.



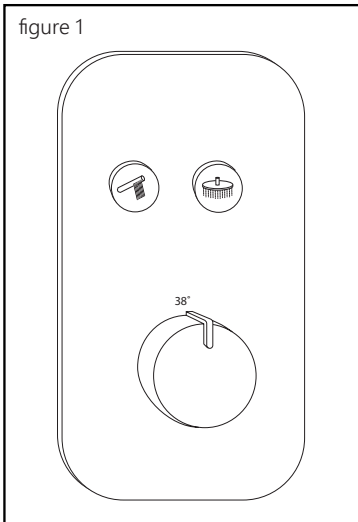
15. Insert grub screw cover



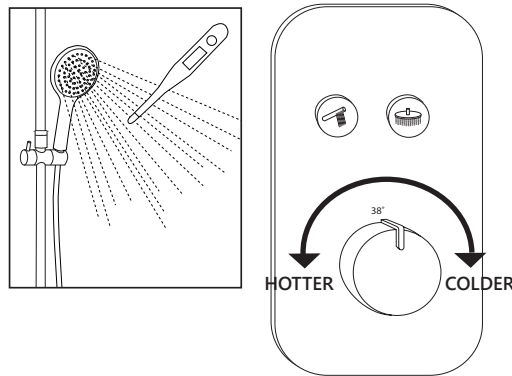
## Calibrating the thermostatic control

1. Attach the thermostatic control handle as shown in figure 1 below but do not tighten the grub screw.

figure 1

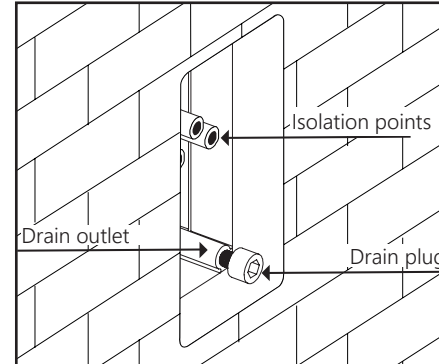
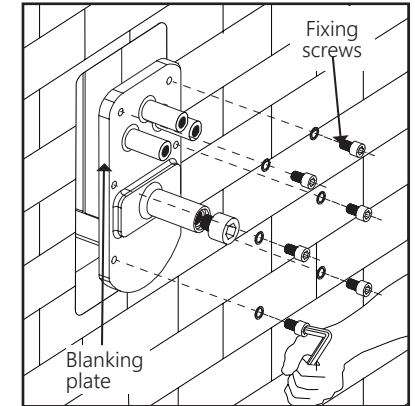


2. Use a thermometer to test the water temperature from one of the outlets. Adjust the temperature by turning the temperature control handle clockwise or anti-clockwise until 38°C is achieved. Remove the handle and re-attach it so it is aligned as shown in figure 1.

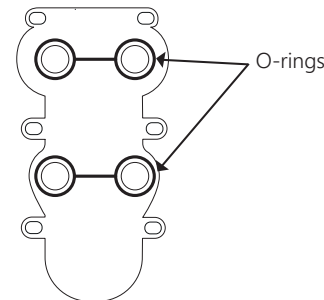


## Installation

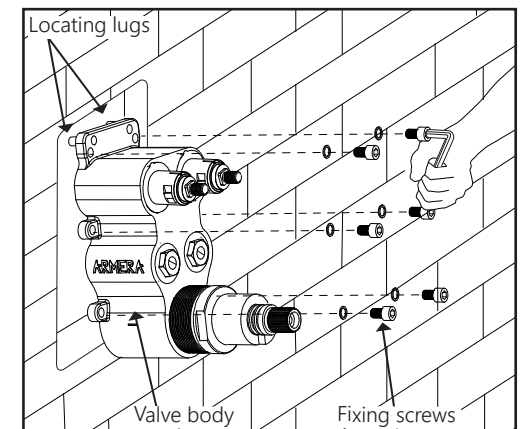
1. This product requires adequately balanced hot and cold water supplies.
2. Turn off the water supply.
3. Follow the separate instructions for installing the Armera dock: part code TH.310.
4. Use an allen key to turn each of the 3 isolation points clockwise until they are tight. Remove the drain plug and attach a hose to the drain outlet of the ARMERA dock. Ensure the open end of the hose is positioned above a drain and turn on the water supply. Leave the water running until any dirt and debris is removed from the plumbing system. Turn off the water supply.
5. Remove the blanking plate from the Armera dock. Keep the fixing screws to one side.



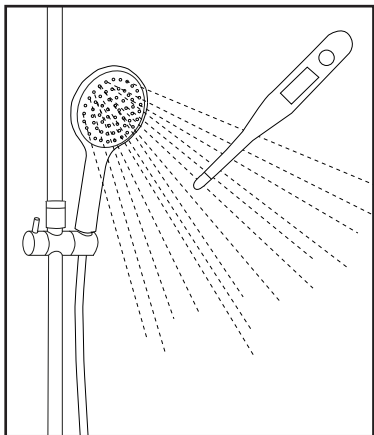
6. Check to ensure that the o-rings are firmly secured in the back of the valve body. If the o-rings are damaged or not seated correctly, the valve body will not seal with the ARMERA dock and leaks may occur.



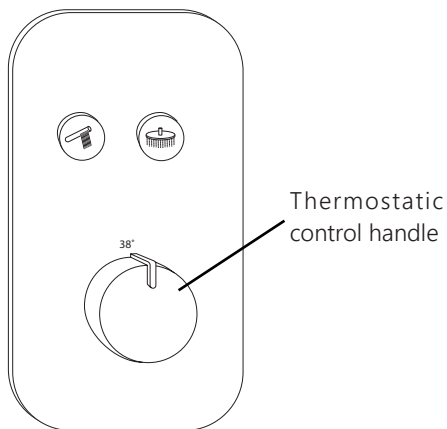
7. Place the valve body into the ARMERA dock and use the locating lugs to set the body in the correct position. Secure the valve body in position using the fixing screws. Ensure that screws are tightened sufficiently for the valve body to create a water tight seal with the ARMERA dock.



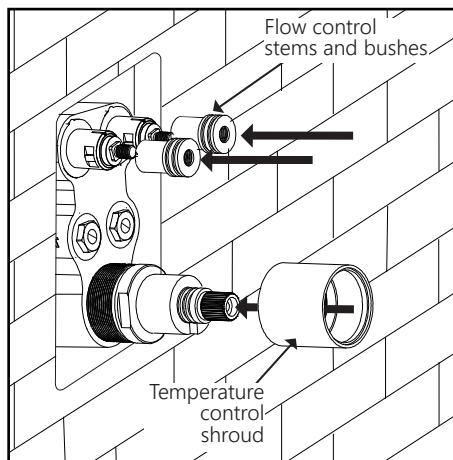
8. Switch on the water supply and check for leaks. Test the water temperature from one of the outlets using a thermometer.



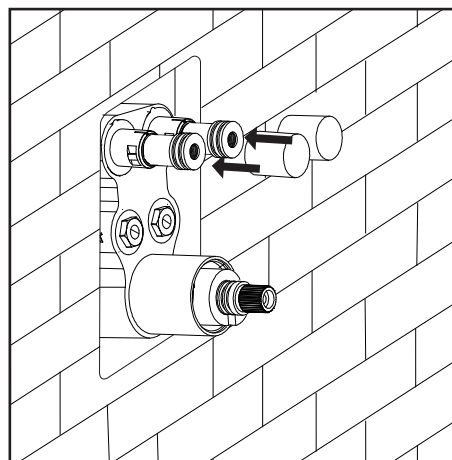
The valve has been calibrated so that 38°C is achieved with the thermostatic control handle positioned as in below diagram. If water temperature is higher or lower than 38°C, please follow the instructions for recalibrating the thermostat.



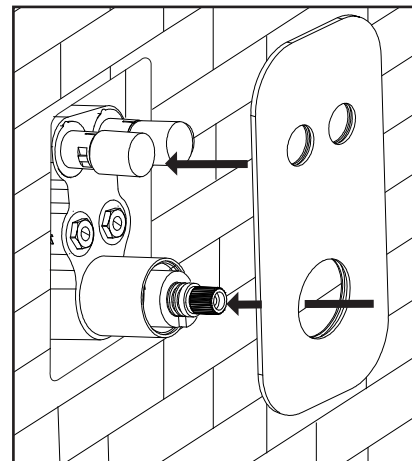
9. Screw the temperature control shroud and the flow control stems and bushes onto the valve body.



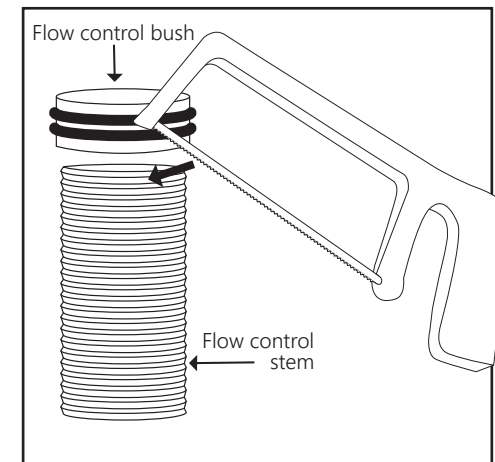
10. Select the relevant flow control buttons and push them onto the flow control bushes.



11. Push the backplate onto the flow control buttons and temperature control shroud.

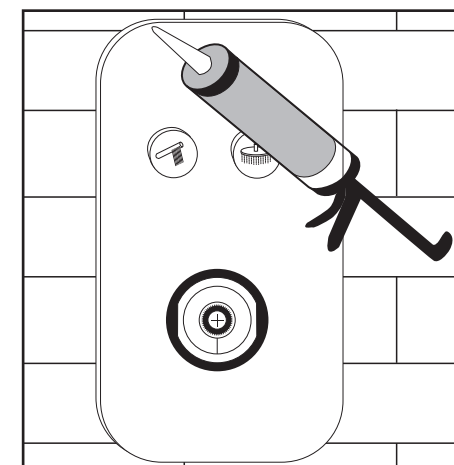


12. If the flow control buttons protrude too far out of the plate, remove the flow control buttons and the backplate. Unscrew the flow control bush from the flow control stem and cut down the flow control stem to the desired length. Reassemble back into valve body and replace the back plate and flow control buttons.



- ! Ensure to only cut the end of the stem onto which the flow control bush is fitted. Do not cut the end that screws onto the valve body!

13. Seal the plate to the tiles using silicone sealant. Ensure to leave the channel at the bottom of the plate free of silicone. If a leak ever occurs in the valve, this channel will allow water to escape alerting you of a problem.



Leak detection Channel  
DO NOT BLOCK WITH SILICONE