

# ARMERA®

## Installation Instructions

Aeres | Latitude | Oculus | Maze |

### Bath and Bath Shower Mixers



ARMERA Limited | [info@armera.co.uk](mailto:info@armera.co.uk) | [www.armera.co.uk](http://www.armera.co.uk)

### Please note

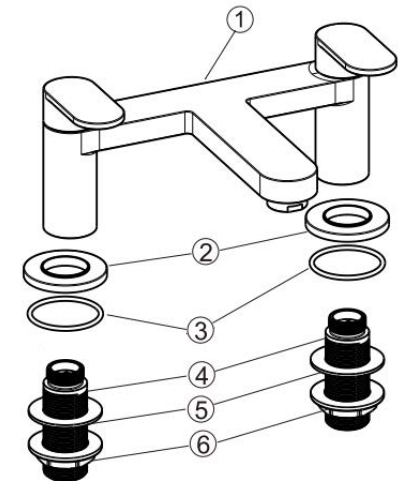
Please follow all instructions carefully. Failure to do so could invalidate your guarantee. As with the installation of any water bearing product, you must make sure that any laws prevalent to your area are followed. Such laws may include Local & National Water Supply Authority Regulations or Byelaws and Building and Plumbing Regulations. We recommend that a qualified registered plumber is used to install your product. Please ensure that when fitted, the product is easily accessed for service and maintenance requirements. Armera cannot be held liable for costs associated with accessing the product after it is fitted.

### Before starting installation

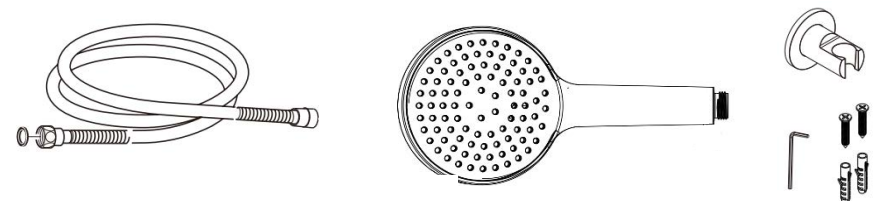
These products are made from plated brass, so please take every care when handling them to avoid surface damage.

Please remove all packaging and make sure no components are missing. The following components should be present:

Item	Description
1	Body
2	Base Ring
3	O Ring
4	Threaded Bar
5	Washer
6	Nut



In addition, products with the shower and diverter will have a hose, handset and wall bracket:



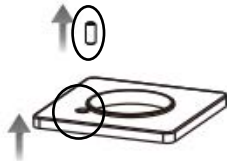
Do not dismantle the product. The cartridge (located in the body) has been calibrated and tested and must not be tampered with prior to installation.

Before installation, please ensure that the plumbing system has been fully flushed to remove dirt and debris.

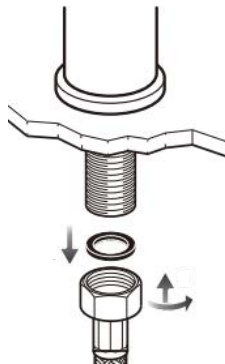
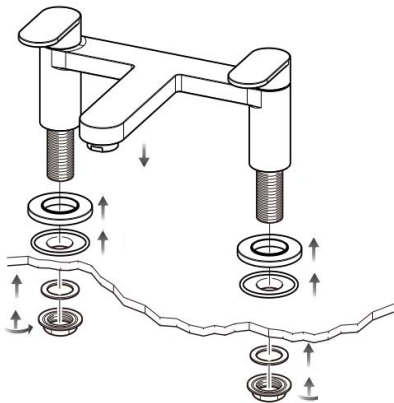
We recommend water inlet pressures of 0.2 to 5 bar.

## Installation Instructions

1. This product requires adequately balanced hot and cold water supplies.
2. Turn off water supply.
3. Ensuring that the o-rings are in position on the underside of the base rings, place the base rings on top of the mounting holes in the bath. If your bath is not pre-drilled you will need to drill two  $\Phi 28\text{mm}$  holes.
4. Position the body on the bath by pushing the threaded bars through the base rings and through the holes on the bath. NOTE, square products have a locating lug to ensure the base ring is not installed at an angle:

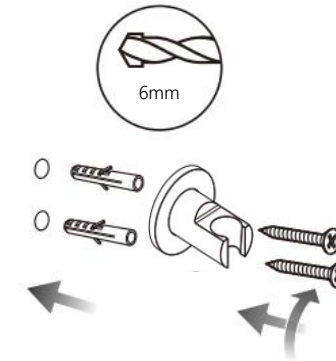


5. From the underside of the bath, fit the rubber washers and nuts and make sure the nuts are tight enough to clamp the mixer in place, but not too tight that the bath is damaged.
6. Connect the water supply, making sure that the hot feed is on the left and cold feed is on the right (as viewed when facing the spout).
7. Turn the water supply back on and check for any leaks with the mixer on and off.

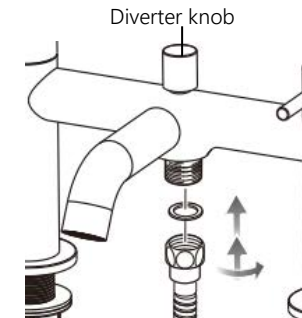


## Installation Instructions for Bath Shower Mixer

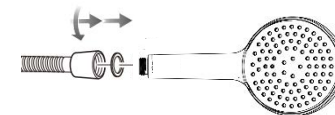
1. Follow the installation instructions for the bath filler.
2. Determine where on the wall you would like to place the mounting bracket for the shower handset.
3. Using a pencil, mark on the wall the position for the screw holes and using a  $\Phi 6\text{mm}$  drill, drill a hole for the rawlplugs and screw the bracket to the wall:



4. Attach the hose to the outlet under the spout. Make sure the washer is installed as shown:



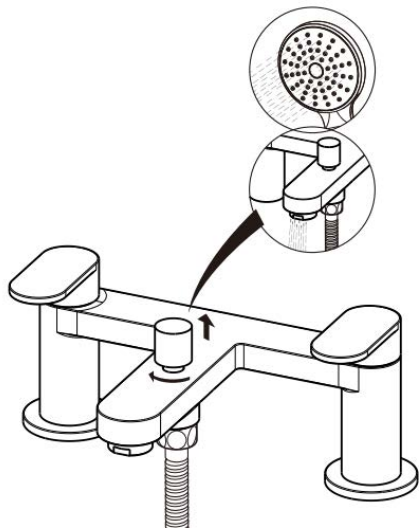
5. Attach the handset to the other end of the hose, also making sure a washer is used:



6. Check for leaks by turning the mixer on and operating the handset by pulling the diverter knob upwards.
7. Turn the left lever anticlockwise to increase flow of hot water. Turn the right lever anticlockwise to increase flow of cold water.



8. To operate the shower handset, turn on the water flow and pull the diverter knob upwards. Please note that the diverter knob can be locked into the upward position by pulling it upwards and rotating it by one quarter turn.



## Contact us:

Should you need any assistance, please email us at [info@armera.co.uk](mailto:info@armera.co.uk) or call 01225 251204

## Caring for your Armera product

We recommend only cleaning your product with a soft damp cloth. Please do not use any other cleaning products as they may damage the high quality finish of this product.

## Guarantee

This Armera product is guaranteed against manufacturing defects. The cover period is from date of supply to the Armera customer and will last for 2 years for parts and labour. The parts guarantee can be extended to 15 years by registering your guarantee. To register your guarantee and review all guarantee conditions, please go to [www.armera.co.uk](http://www.armera.co.uk)

