

ARMERA

Installation Instructions

Lagoon | Anthem

Close coupled Toilets



Please note

Please follow all instructions carefully. Failure to do so could invalidate your guarantee. As with the installation of any water bearing product, you must make sure that any laws prevalent to your area are followed. Such laws may include Local & National Water Supply Authority Regulations or Byelaws and Building and Plumbing Regulations. We recommend that a qualified registered plumber is used to install your product. Please ensure that when fitted, the product is easily accessed for service and maintenance requirements. Armera cannot be held liable for costs associated with accessing the product after it is fitted.

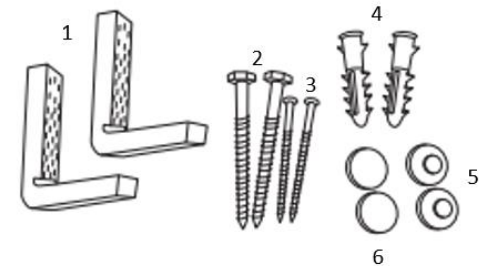
Before starting installation

These products are made from vitreous china, so please take every care when handling them to avoid surface damage.

Please remove all packaging and make sure no components are missing. The following components should be present:

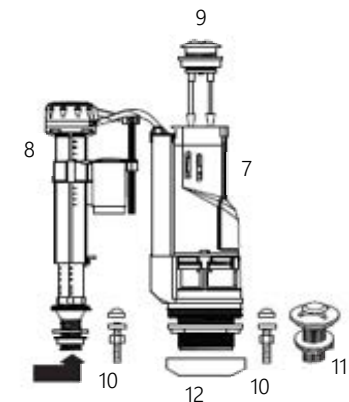
Pan Fixing kit

Item	Description
1	Fixing brackets x2
2	Floor fixing screws x2
3	Pan fixing screws x2
4	Rawl plugs x2
5	Washers x2
6	Cover caps x2



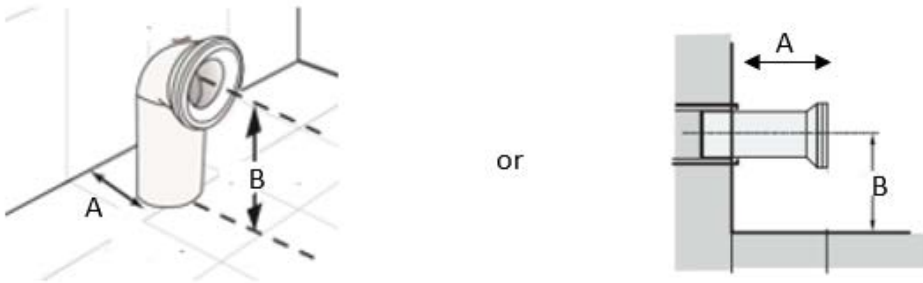
Flush valve and inlet valve

Item	Description
7	Flush valve
8	Inlet valve
9	Flush button
10	Fixing bolts
11	Blanking plug
12	Gasket

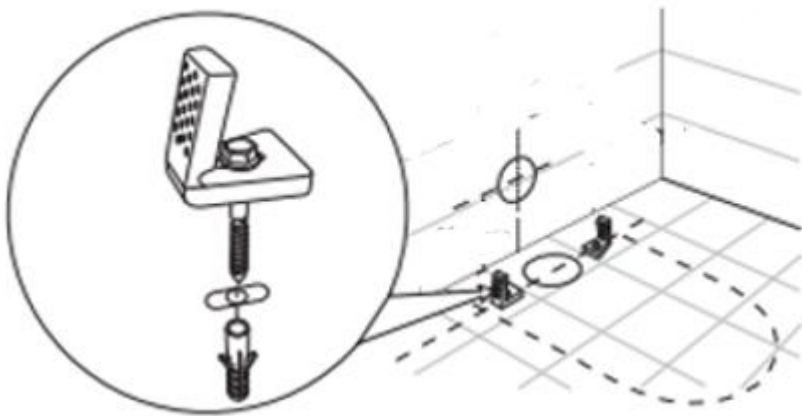


Installation

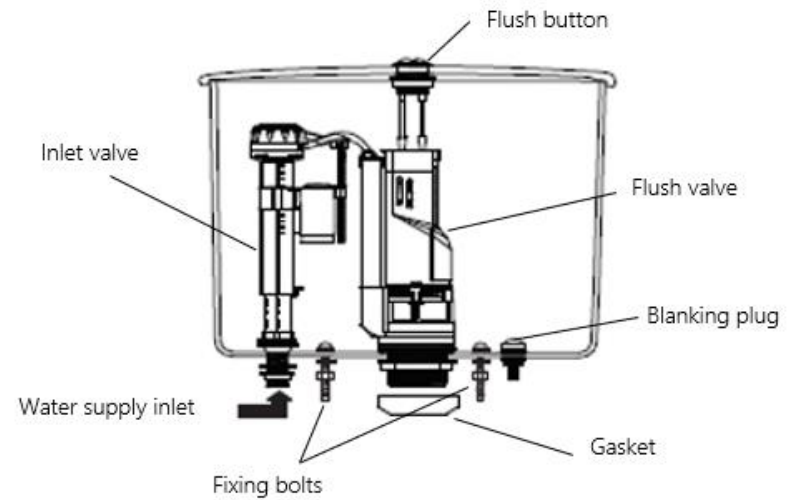
1. Set the position of the waste outlet and pan connector (not supplied) to ensure measurements A and B are relevant for the WC being installed. Please refer to product technical drawings at www.armera.co.uk if required.



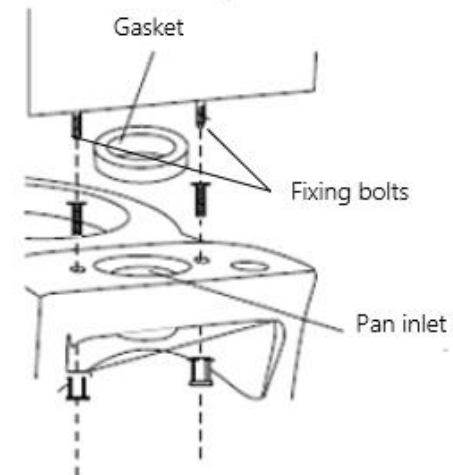
2. Position the toilet pan against the wall and mark on the floor the location of the holes for the fixing brackets. Next, pull the pan away from the wall and secure the fixing brackets to the floor using the floor fixing screws and rawl plugs provided.



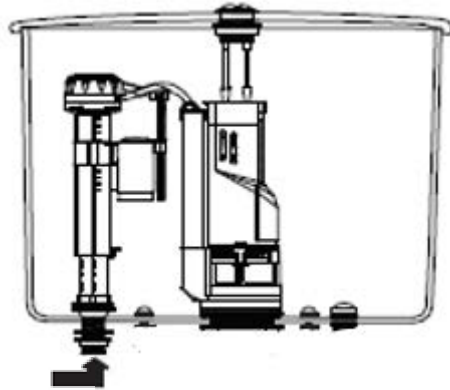
3. Ensure the water supply is turned off.
4. Install the inlet valve and flush valve into the cistern as indicated below:



5. Position the cistern onto the pan by centring the gasket on the pan inlet and then secure the cistern in position using the fixing bolts.

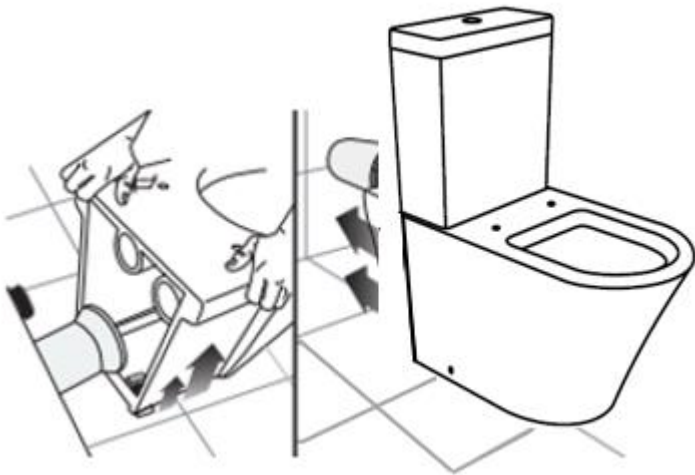


6. Connect the inlet valve to the water supply. Turn on the water supply and check for leaks.

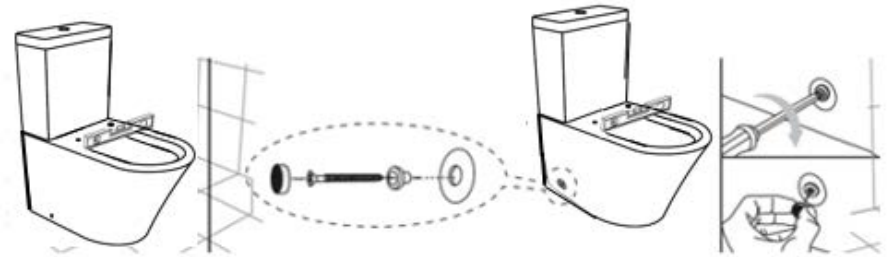


Connect water supply here

7. Push the pan back into its final position. Ensure that you make a secure connection with the pan connector. Flush the toilet to test for leaks.



8. Ensure the pan is level and then secure it to the fixing brackets using the pan fixing screws and washers provided. Fix on the cover caps.



9. Attach the toilet seat by following the instructions provided with the seat.
10. Seal the base of the pan using silicon sealant.



Contact us:

Should you need any assistance, please email us at info@armera.co.uk or call 01225 251204

Guarantee

This Armera product is guaranteed against manufacturing defects. The cover period is from date of supply to the Armera customer and will last for 2 years for parts and labour. The parts guarantee can be extended to 25 years by registering your guarantee. To register your guarantee and review all guarantee conditions, please go to www.armera.co.uk

