

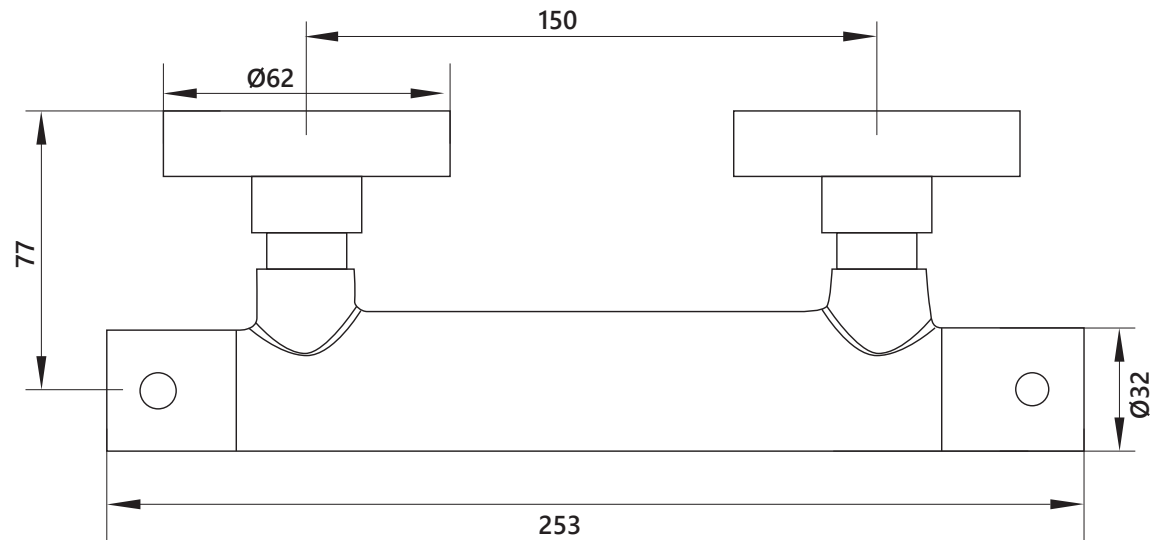
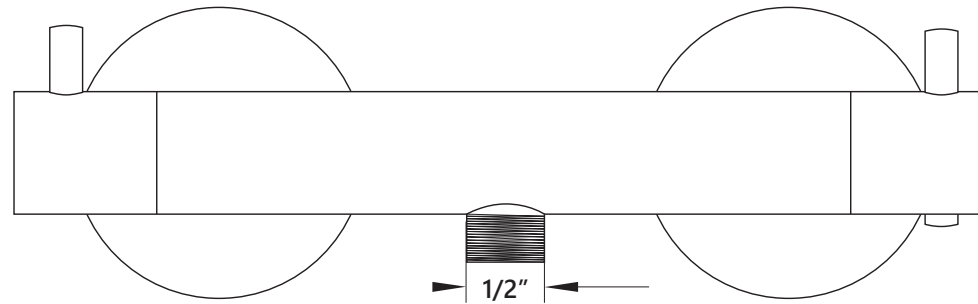
DIMENSIONAL DRAWING

Range: Exposed Thermostatic Valves

Product Code: TH.365.66

Description: Exposed 1/2" thermostatic shower valve

All measurements are in mm



ARMERA

info@armera.co.uk
www.armera.co.uk