

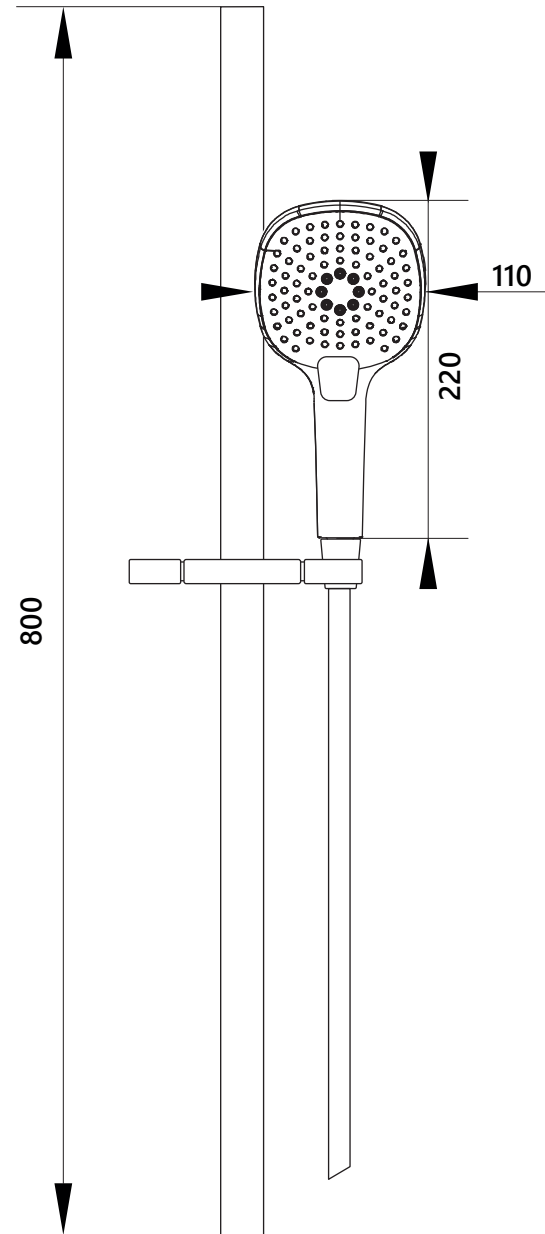
DIMENSIONAL DRAWING

Range: Showering - Slide rail kits

Product Code: SP.460

Description: Spectre slide rail kit with
multi-function handset and smoothflex hose

All measurements are in mm



Supplied with
150cm shower hose

ARMERA

info@armera.co.uk
www.armera.co.uk