

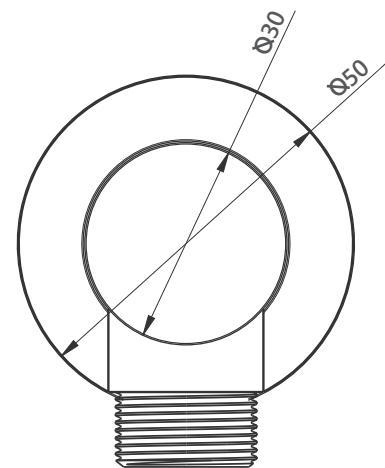
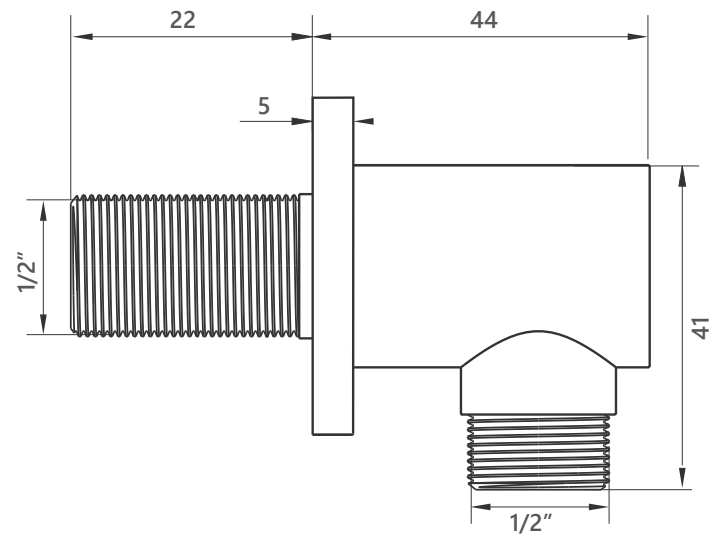
# DIMENSIONAL DRAWING

**Range:** Showering - outlets

**Product Code:** SH.440.66

**Description:** Round wall outlet

All measurements are in mm



# ARMERA

info@armera.co.uk  
www.armera.co.uk