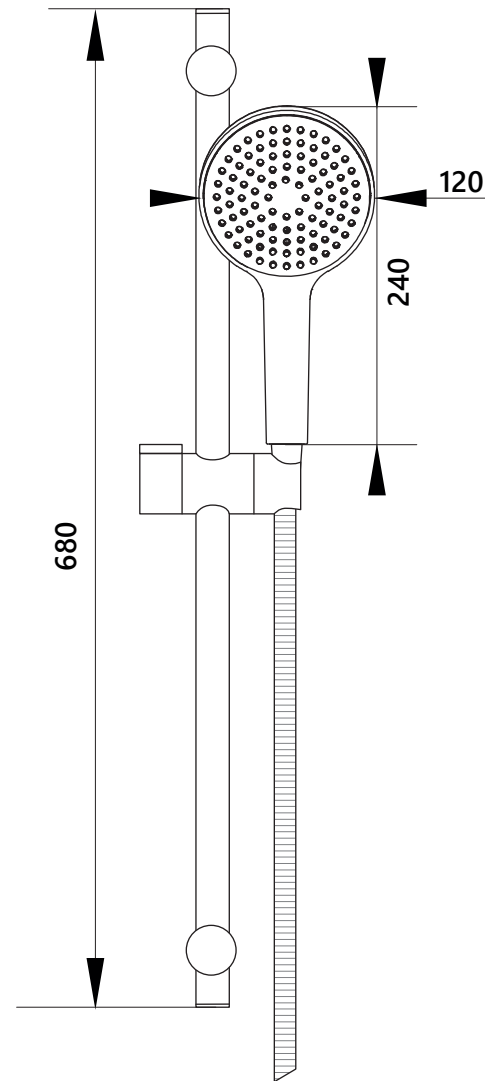

DIMENSIONAL DRAWING

Range: Showering - Slide rail kits

Product Code: PR.460

Description: Protus single function adjustable slide rail kit

All measurements are in mm



Supplied with
150cm shower hose

ARMERA

info@armera.co.uk
www.armera.co.uk